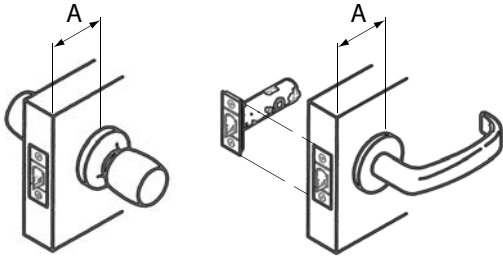


## i. Before installation:

i-1. Check the type of existing door knob/lever.

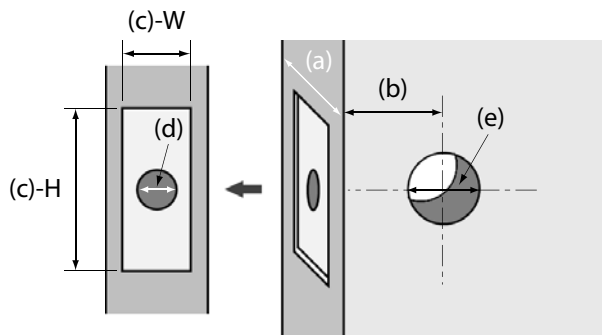


If you have a standard knob/lever with tubular latch:  
Make sure that the backset of existing knob/lever (dimension "A") is 2 3/8".



If you have a mortise lock:  
The Animal Door Lever may not fit into existing cutout.

i-2. Mounting dimensions



(a) Door width : 1 3/16" to 1 7/16"

(b) Backset : 2 3/8"

(c) Face plate mortise :

For  $\varnothing 13/16$ " edge bore --- H 2 1/4" x W 7/8"

For  $\varnothing 15/16$ " edge bore --- H 2 1/4" x W 1" (\*1)

(\*1 For  $\varnothing 15/16$ " edge bore, use 1" face plate and busch supplied with the product.)

(d) Edge bore :  $\varnothing 13/16$ " or  $\varnothing 15/16$ " (\*2)

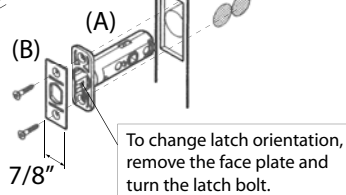
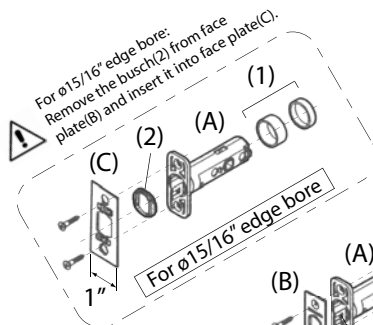
(\*2 For  $\varnothing 15/16$ " edge bore, use adjustment rings supplied with the product.)

(e) Main bore : Max. 2 3/16"

For detail mounting dimensions, see page 2.

## ii. Installation:

-1. Mount the latch.



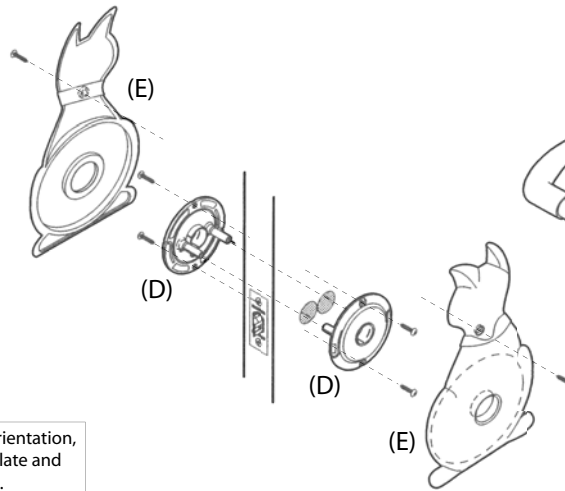
For  $\varnothing 13/16$ " edge bore:

- 1-1. Insert the latch(A) into edge bore. Make sure the arrow mark is pointing up.
- 1-2. Attach the face plate(B) with screws.

For  $\varnothing 15/16$ " edge bore:

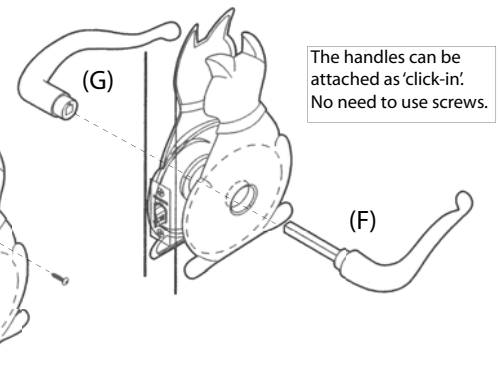
- 1-a. Set the adjustment rings(1) on the latch(A).
- 1-b. Remove the busch(2) from the face plate(B) and insert it into the face plate(C).
- 1-c. Insert the latch(A) into edge bore. Make sure the arrow mark is pointing up.
- 1-d. Attach the face plate(C) with screws.

-2. Mount the assembly base and cover.



- 2-1. Insert the assembly bases(D) into main bore. (At this point, you may set the lever handle(F) temporarily and make sure it turns properly.)
- 2-2. Attach the assembly bases(D) with screws.
- 2-3. Attach the covers(E) with screws. (Screw holes are located under the collar.)

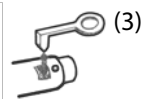
-3. Mount the lever handle.



The handles can be attached as 'click-in'.  
No need to use screws.

- 3-1. Insert the lever handle(F) into the assembly base.
- 3-2. Insert the lever handle(G) into the assembly base.
- 3-3. Push both lever handles together.

To remove the lever handles, insert the removal key(3) into the hole at the bottom side of the lever handle(G), then pull out the lever handle(F)..



# Woof & Meow Animal Door Lever

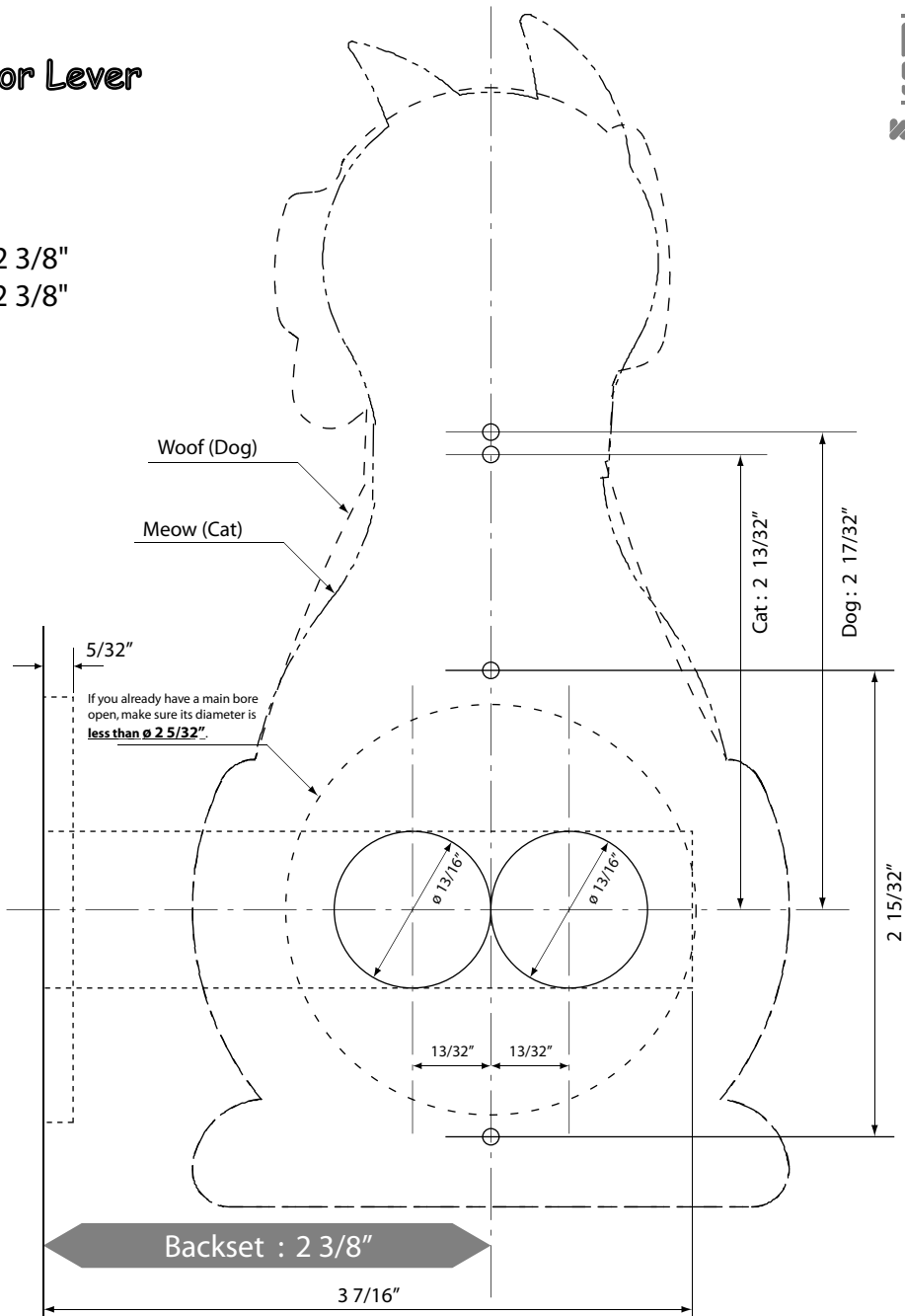
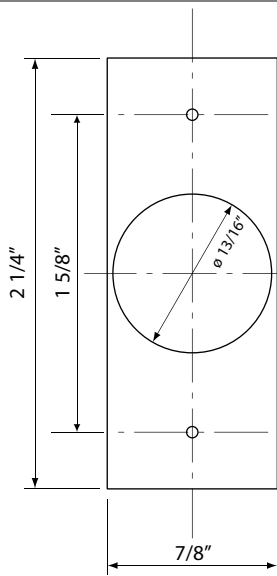
## Installation Cutout

Models:

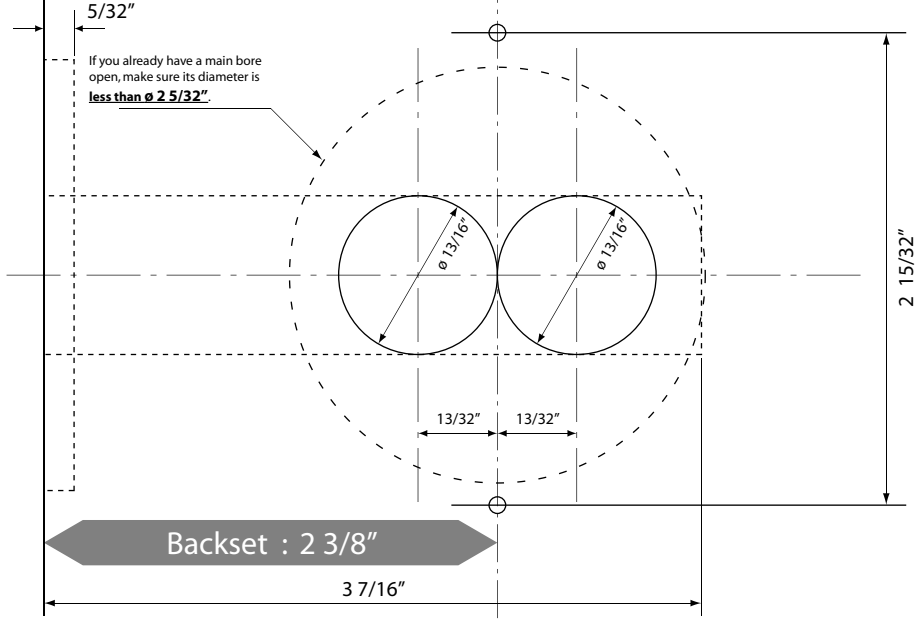
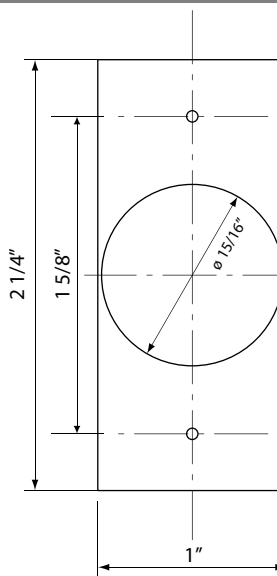
TXS-W10B "Woof" (Dog) --- backset 2 3/8"

TXS-W20C "Meow" (Cat) --- backset 2 3/8"

### For $\phi 13/16$ " edge bore

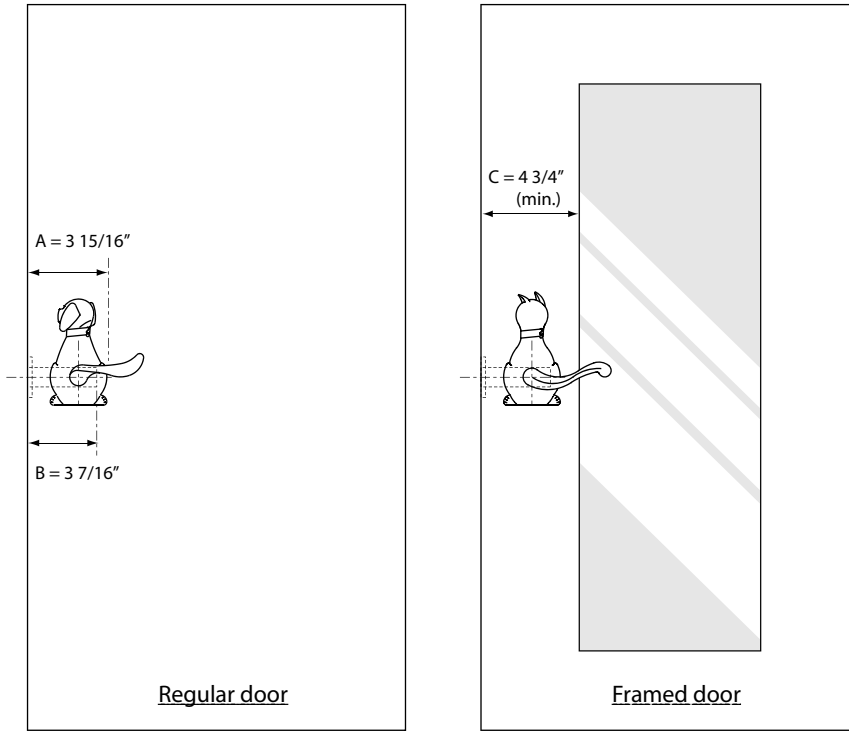


### For $\phi 15/16$ " edge bore



### iii. Tips for installation:

iii-1. Make sure that there is enough space on the door.



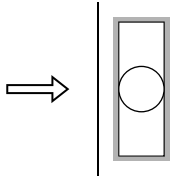
A (Distance from door edge to end of cover) : 3 15/16"


B (Depth for edge bore) : 3 7/16"

C (Minimum frame width) : 4 3/4" or more

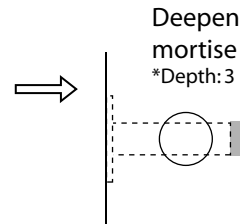
### iii-2. Cutout checklist


☆ If the existing face plate mortise is too small,



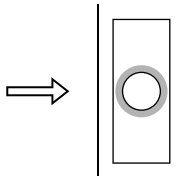
Widen the face plate mortise (  part).  
\*Face plate(B): 2 1/4"W x 7/8"H  
\*Face plate(C): 2 1/4"W x 1"H

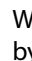
☆ If the existing latch mortise is not deep enough,



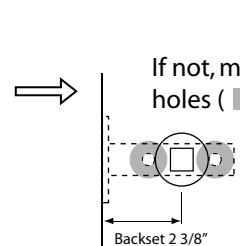
Deepen the latch mortise (  part).  
\*Depth: 3 7/16"

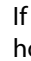
☆ If the existing edge bore is smaller than latch diameter,



Widen the edge bore by drill (  part).  
\*Recommended:  $\phi$ 13/16"

☆ Make sure that the square hole and round holes on latch can be seen from the existing main-bore.



If not, make new holes (  part).

☆ If the existing edge bore is larger than the latch diameter,



Use adjustment rings(1), busch(2) and face plate(C).  
\*You may need to widen the edge bore to  $\phi$ 15/16".

