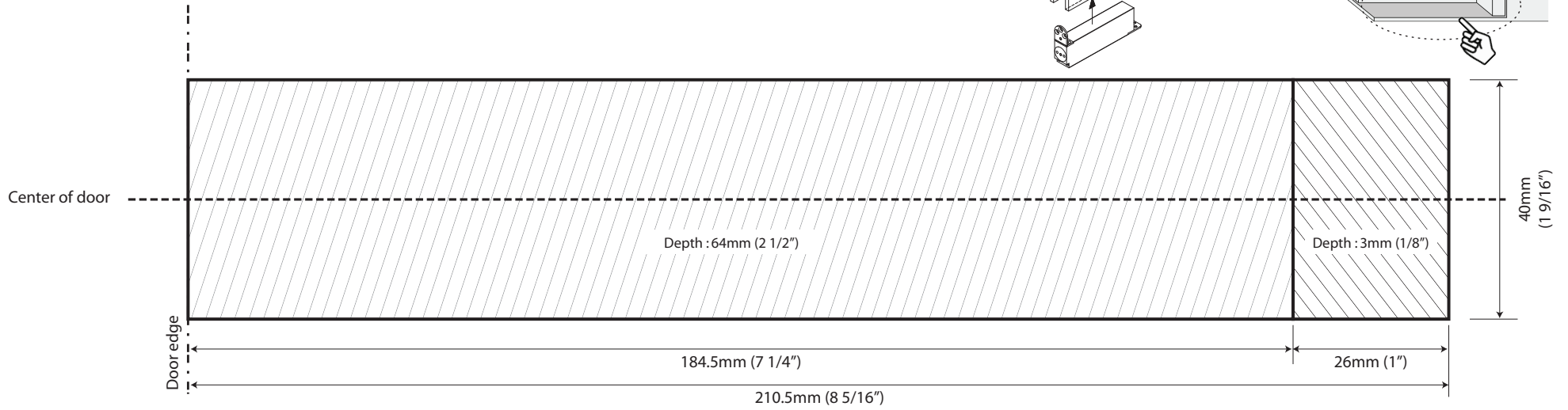
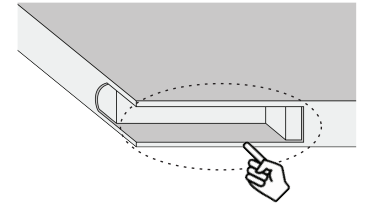
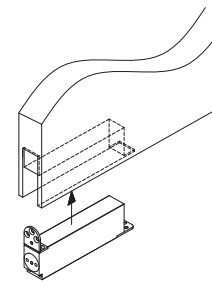


Pivot Door Closer Model: **PDC105W-(S)**
 Template for Closer Body (Door Bottom)



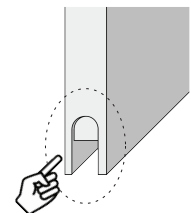
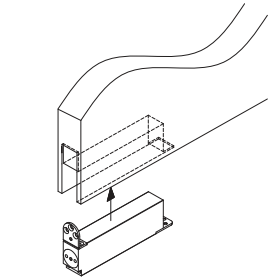
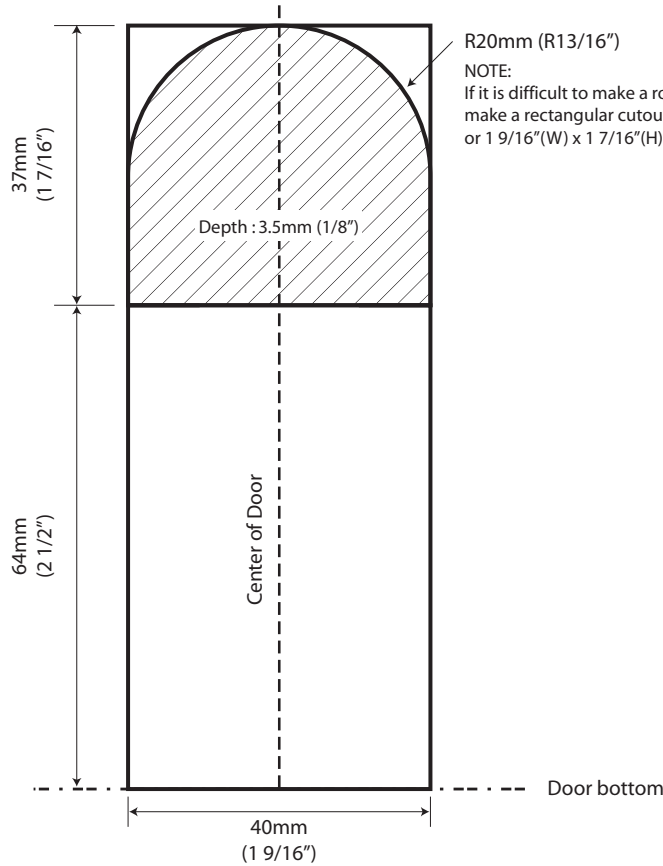
NOTE:
 Do not change the scale when printing. On the Printer Setup, choose "Letter" for paper size and select "Actual Size" for print sizing.



Pivot Door Closer Model: **PDC105W-(S)**
 Template for Closer Body (Door Back)



NOTE:
 Do not change the scale when printing. On the Printer Setup, choose "Letter" for paper size and select "Actual Size" for print sizing.



Min door thickness:
 50mm (1 15/16")