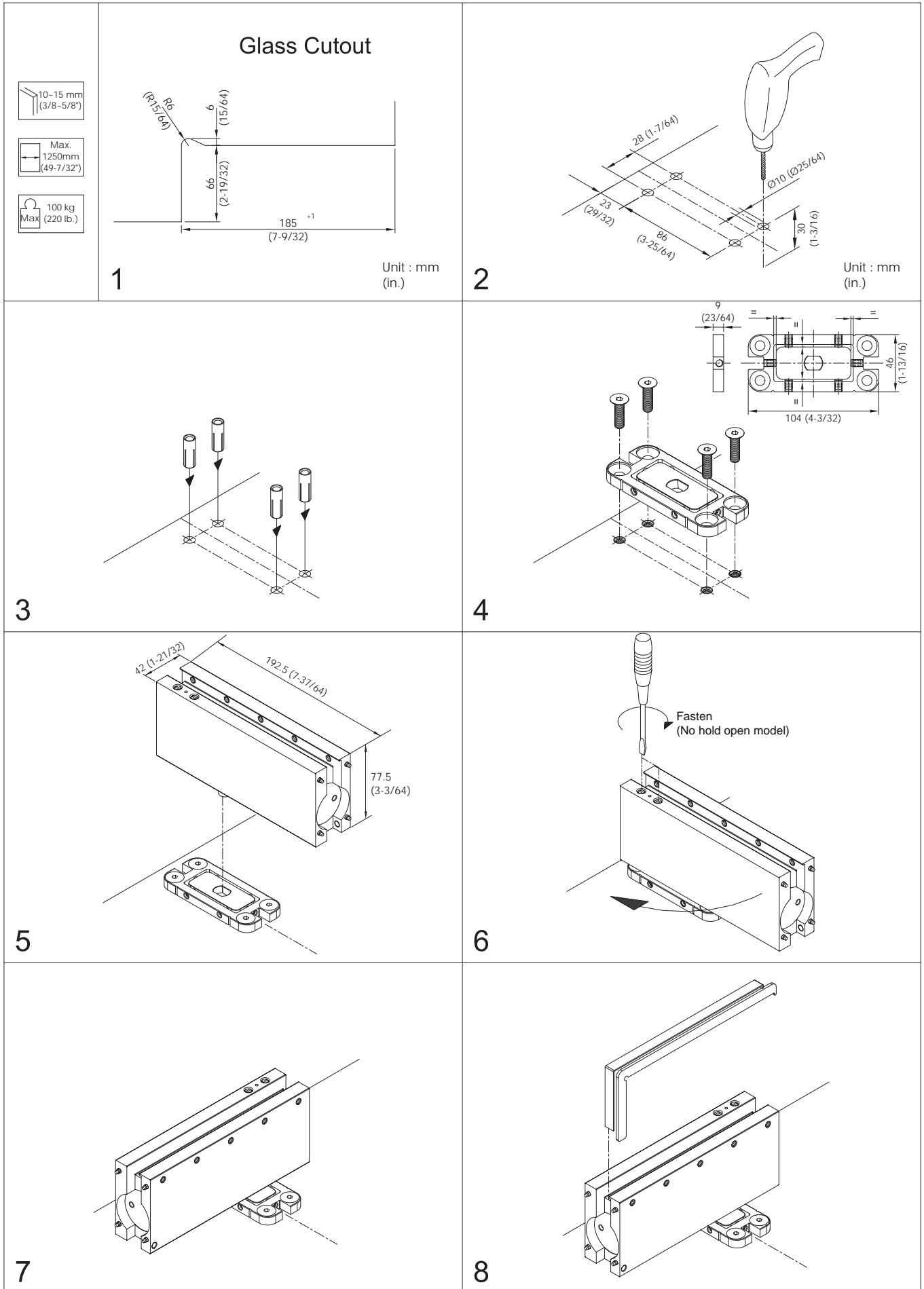
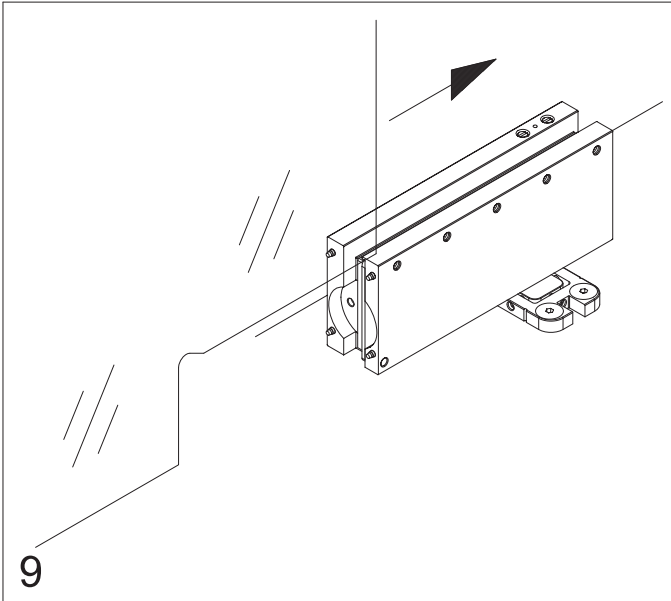


# INSTALLATION INSTRUCTIONS NHN PIVOT CLOSER MODEL NO. PDC105 / PDC105S

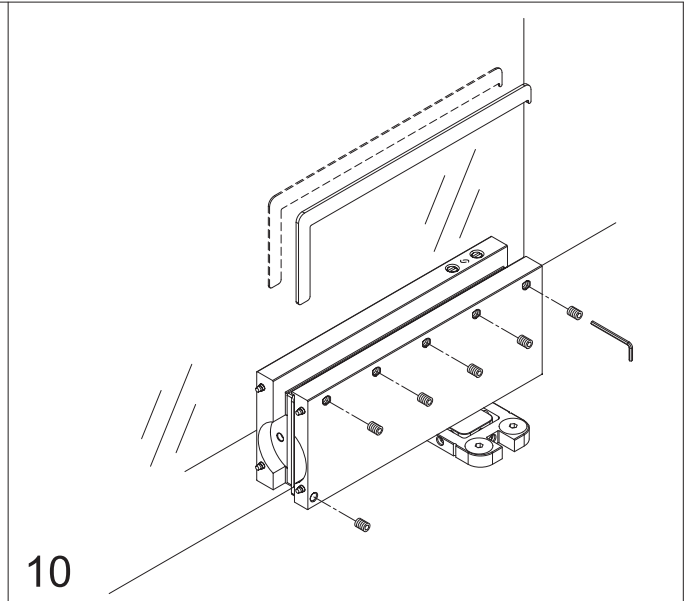
81-5



# INSTALLATION INSTRUCTIONS NHN PIVOT CLOSER MODEL NO. PDC105 / PDC105S



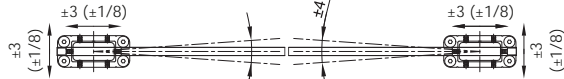
9



10

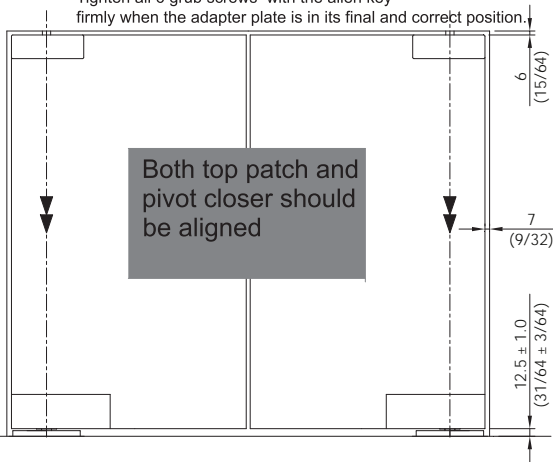
Unit : mm  
(in.)

## Adjust the door position

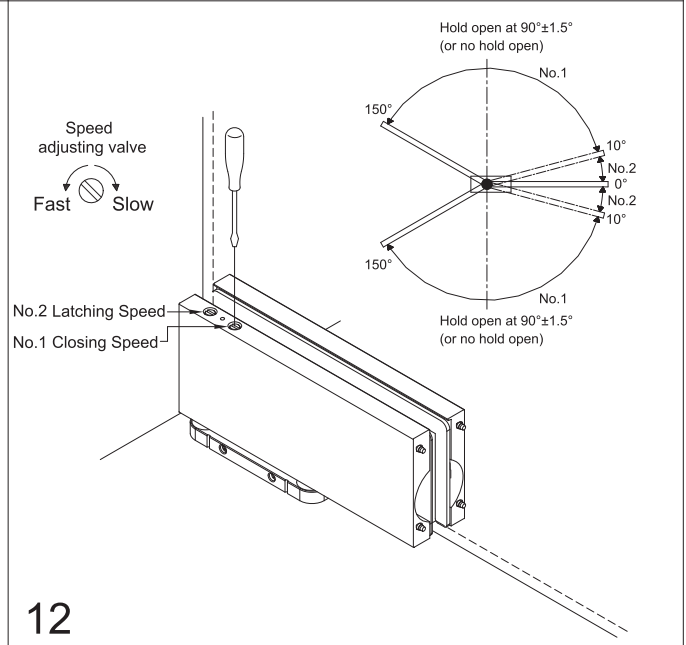


### SECURE THE ADAPTER PLATE.

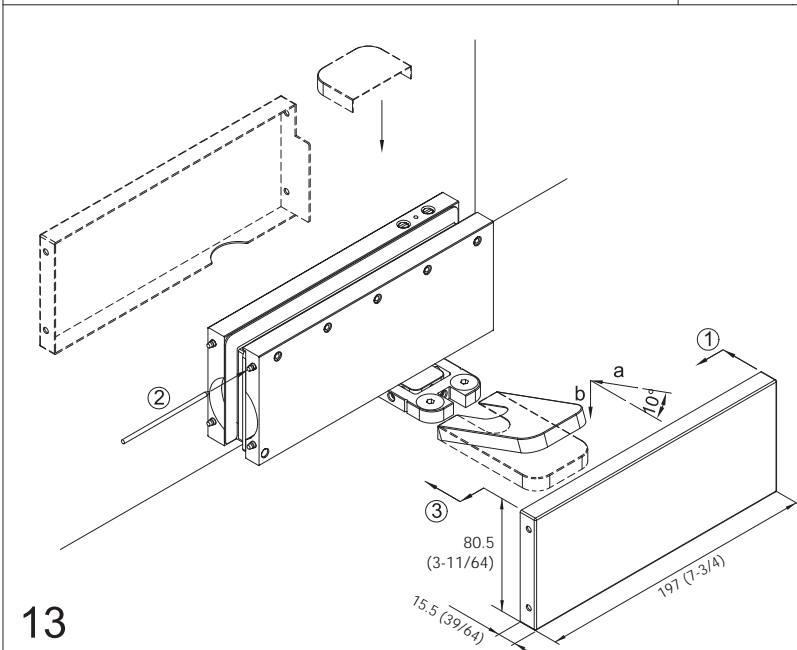
Tighten all 6 grub screws with the allen key firmly when the adapter plate is in its final and correct position.



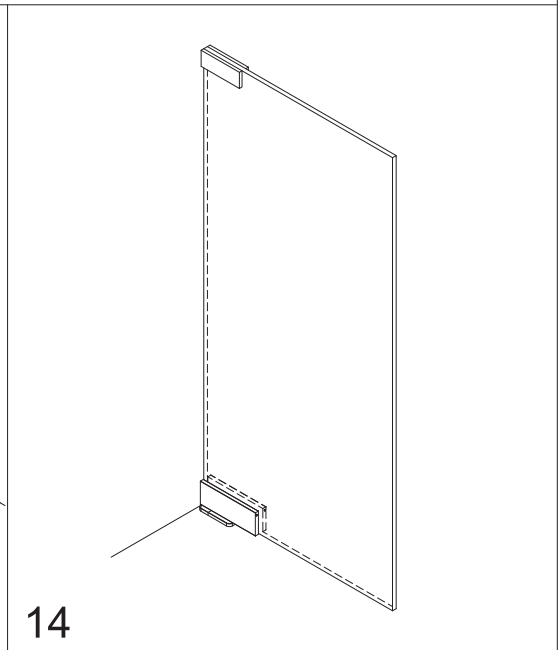
11



12



13



14