

## NHN<sup>®</sup> PDC100 series



### FEATURES

The NHN PDC100 pivot closer is the first in the Flagship Range from NHN's next generation of hidden door closers.

Incorporating the latest cam type technology, the NHN PDC100 pivot closer offers easy opening with increased efficiency on the closing torque.

The closing speed is easily adjusted via two independent adjustment valves.

Available with or without hold open at 90°.

Narrow style with high performance.

Easy installation; cost and time saving as no preparation on the floor needed.

5 year Guarantee against faulty workmanship.

- Suitable for a glass door up to 100 kg (220 lbs).  
Glass thickness  
PDC100(S) : 8-13mm (5/16 - 1/2 in.)  
PDC105(S) : 10-15mm (3/8 - 9/16 in.)  
Door width  
PDC100(S) : 750-1000mm (29 1/2 - 39 3/8 in.)  
PDC105(S) : 750-1250mm (29 1/2 - 49 3/16 in.)
- Supplied non handed the NHN PDC100 provides optimum efficiency with quick and easy installation.
- Simple final adjustments; 3mm (1/8 in.) backward/forward, 3mm (1/8 in.) left/right, ± 4° alignment.
- Ambient temperature from -20°C to +50°C (-4°F to +122°F).
- Finishes available as standard are satin and polished stainless steel. (Other finishes available on request.)

SELECTION CHART / FUNCTION & ADJUSTMENT

SELECTION CHART

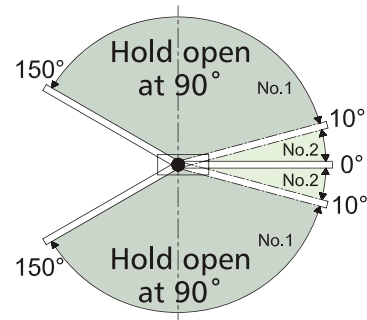
MODEL NO.	Function	Applicable door width	Applicable door weight	Max. opening angle
PDC100	Non hold open	750 to 1000mm (29-1/2 to 39-3/8 in)	60 to 100kg (132 to 220lbs)	150° (To both sides)
PDC100-S	Hold open 90°			
PDC105	Non hold open	1000 to 1250mm (39-3/8 to 49-3/16 in)	80 to 100kg (176 to 220lbs)	
PDC105-S	Hold open 90°			

1

**Double action**

Non hold open model PDC100/105:  
Maximum opening angle 150°

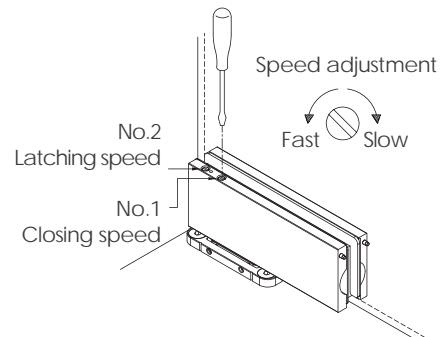
Hold open model PDC100-S/105-S:  
Hold open position angle 90°, maximum opening angle 150°.



2

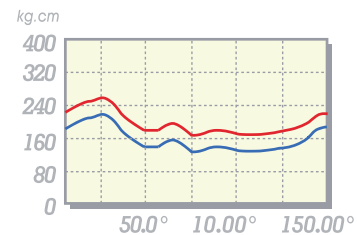
**Two speed adjustment**

Closing speed (150° ~ 10°)  
Latching speed (10° ~ 0°)



3

Providing over 70% efficiency, the NHN PDC100 combines light opening with smooth closing.



**INSTALLATION**

Below shows the installation dimensions for PDC100/100S. (For 105/105S, please refer to the manual provided with the unit.)

**Glass Cutout**

1 Showing the cutout for PDC100(S). Unit: mm (inch)

2

3

4

5

6

7

8

9

10

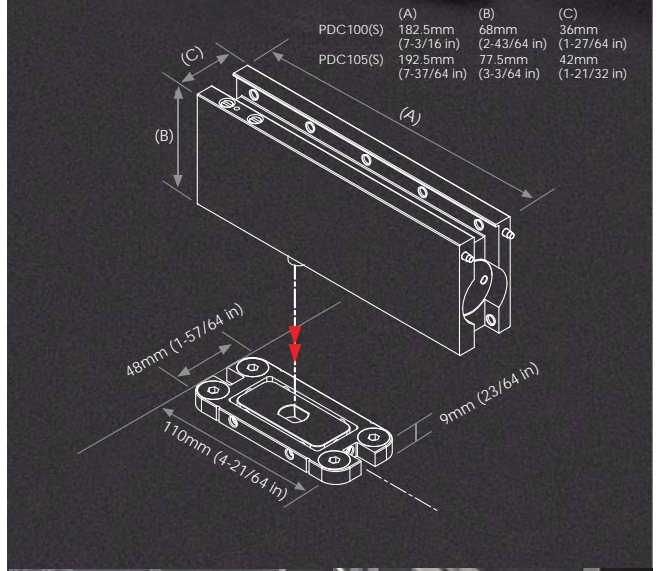
**Door adjustment**

11

12

13

14



## STANDARD COMPONENT

PDC100 PIVOT DOOR CLOSER w/ BASE PLATE



MOUNTING HARDWARE



## OPTIONS

TP1 TOP PIVOT



KPF-1 CORNER PATCH



KPF-4 WALL MOUNT TRANSOM PATCH



TP2 TOP PIVOT (ADJUSTABLE TYPE)



KPF-2P TOP PATCH



Max. glass thickness of KPF- series glass patches is 13mm (½ in).



**KENWA CO., LTD.**

**NH<sup>®</sup>**  
Closing Solutions

6th Floor, Marutake Honmachi Building  
6-18 Honmachi 1-Chome, Chuo-ku  
Osaka 541-0053 Japan

P: +81-(0)6 6265 1130

F: +81-(0)6 6265 1132

E: info@kenwa.co.jp

www.kenwa.co.jp

www.micomautodoor.com

E.&O.E. All sizes, photo's and drawings are subject to change without prior notice.  
Copyright © 2013 KENWA CO.,LTD. OSAKA JAPAN All Rights Reserved.

DISTRIBUTED BY



**KENWA TRADING CORP.**

380 N BROADWAY SUITE 302  
JERICHO, NY 11753, U.S.A.

P: +1-516-933-6016

F: +1-516-933-6018

E: ktc@kenwa.net

http://kenwa-america.com