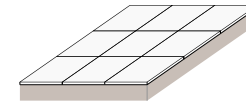


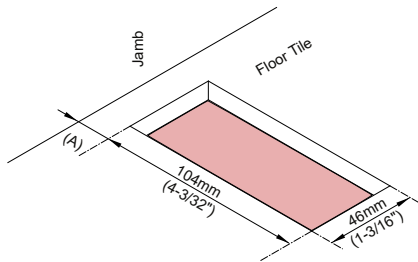
PDC series Pivot Door Closer - Installation on Tile Floor

Follow this instruction in case you will use PDC series Pivot Door Closer on tile floor.

[Tile Floor]

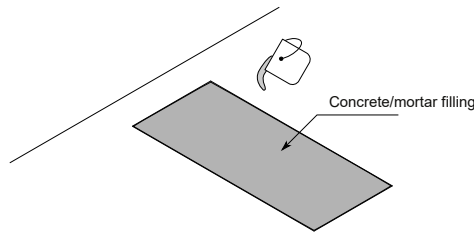


1. Cut the tile.

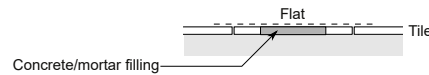


- Length (A)
- For PDC100 (glass door model) : 8mm (5/16")
 - For PDC105 (glass door model) : 14mm (35/64")
 - For PDC103W (wood/metal door model) : 13mm (33/64")
 - For PDC105W (wood/metal door model) : 16mm (5/8")

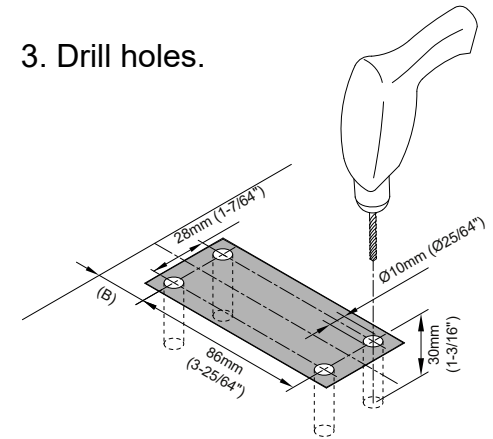
2. Fill the gap with concrete/mortar.



Make sure the surface of concrete/mortar filling is flat and smooth.

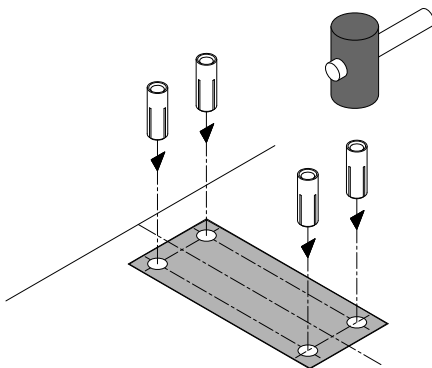


3. Drill holes.



- Length (B)
- For PDC100 (glass door model) : 17mm (43/64")
 - For PDC105 (glass door model) : 23mm (29/32")
 - For PDC103W (wood/metal door model) : 22mm (55/64")
 - For PDC105W (wood/metal door model) : 25mm (63/64")

4. Tap the screw anchors.



5. Mount the base plate.

