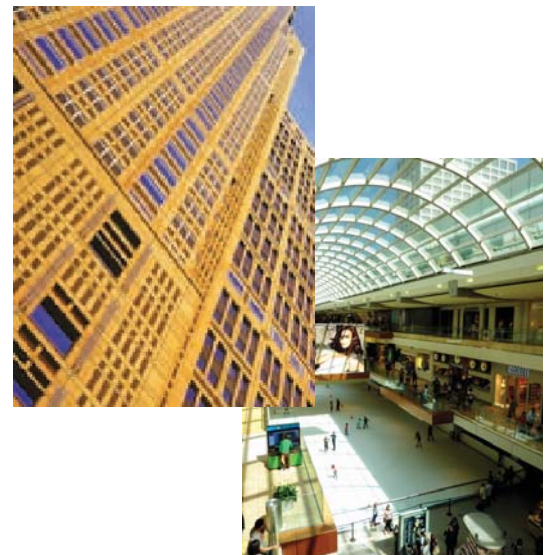




NHN500

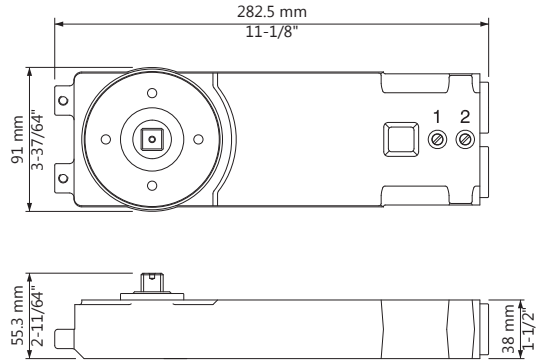
Overhead Transom Concealed Closer



NHN500



Overhead Transom Concealed Door Closer



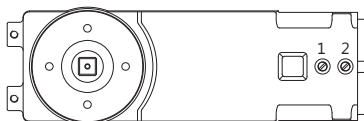
Spec & Model Chart:

	Spring size (EN)	Door width	Door weight	Opening angle	Hold open or Non hold	Model #		
						Standard	Back check	Delayed action
Light	2	≅850mm (33-7/16")	≅70kg (154lb)	130°	Non hold	552	552-BC	552-DA
					Hold at 90°	552H90	552H90-BC	552H90-DA
					Hold at 105°	552H15	552H15-BC	552H15-DA
Medium	3	≅950mm (37-3/8")	≅105kg (231lb)		Non hold	553	553-BC	553-DA
					Hold at 90°	553H90	553H90-BC	553H90-DA
					Hold at 105°	553H15	553H15-BC	553H15-DA
Heavy	4	≅1100mm (43-5/16")	≅150kg (330lb)		Non hold	554	554-BC	554-DA
					Hold at 90°	554H90	554H90-BC	554H90-DA
					Hold at 105°	554H15	554H15-BC	554H15-DA

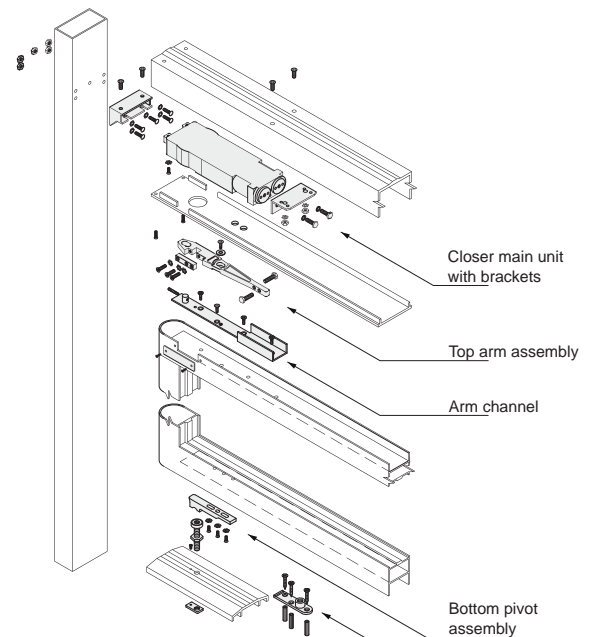
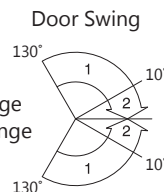
Feature:

- Double acting.
- Non handed, suitable for left and right hand doors.
- Hold-open available (choice of 90° model or 105° model).
- Back-check (between 130° to 70°) available.
- Adjustable delayed action (between 130° to 65°) available.
- Recommended minimum door width: 700mm (27 1/2")

Speed adjustment:



Turn clockwise : Slow down
Turn counterclockwise : Speed up



Open to new possibility.

KENWA Trading Corporation

380 N Broadway Ste 302 Jericho NY 11753 USA
P: 1-516-933-6016 F: 1-516-933-6018
E: ktc@kenwa.net W: <https://kenwa-america.com>