

**MICOM**  
AUTODOOR

## Linear Engine

**AUTOMATIC DOOR DRIVE UNIT**

**MM30 MM50 MM100**

Distributed by:

 **KENWA**  
Open to new possibilities

**MICOM**  
AUTODOOR

Head office .Japan

12th Floor | Tower West | Umeda Skybuilding 1-30  
Oyodonaka 1-chome | kita-ku osaka 531-0076  
Japan

Tel: (0081) 6 6 4549721  
Fax: (0081) 6 6 454 9726  
Email: info@kenwa.co.jp

AUG. 2010

 **KENWA**  
Open to new possibilities

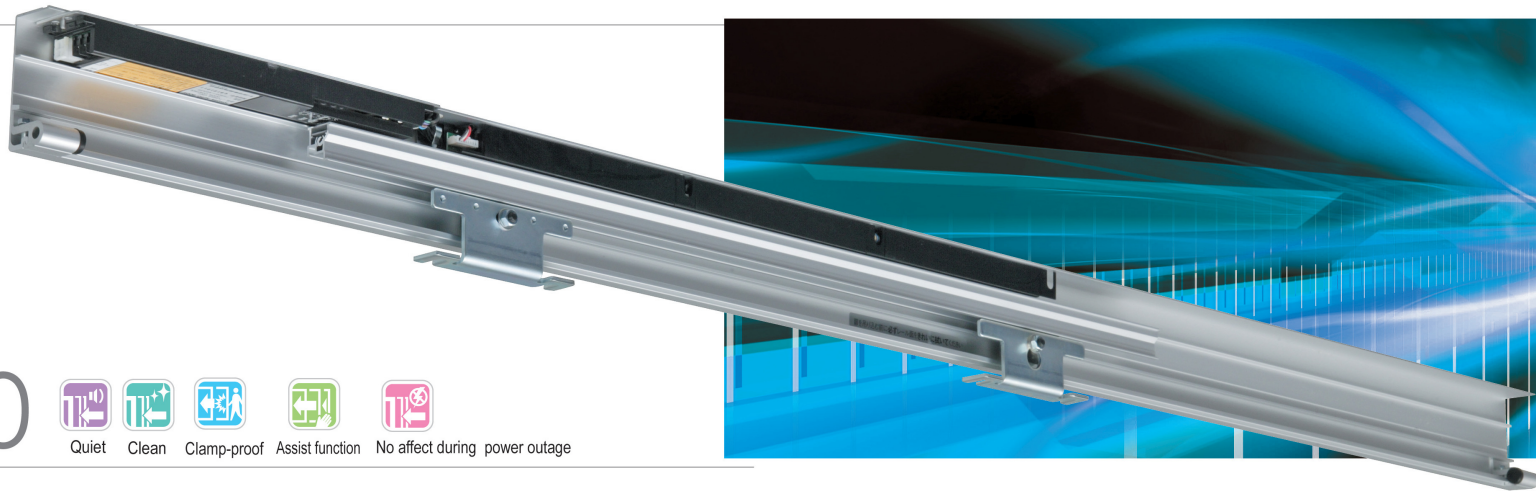
**Versatile application.**  
**Linear engine could be widely spread.**

For example, it demonstrates its quiet and safe feature when it's used for residence, offices and hospitals, while it demonstrates its no-dust feature when it's used for factory clean rooms.  
With comprehensive advantages, linear engine automatic doors have been installed in many places and will extend its application to an even bigger market.



LINEAR ENGINE

\* Please contact us for any special requirements.



LINEAR ENGINE

**MM50**



Quiet



Clean



Clamp-proof



Assist function



No affect during power outage

Recommended installation areas



Office building

Meeting room

Smoking room

Office entrance

Hospital & Welfare facilities

Living room

Clinic

Multifunctional toilets

Factory

Clean room

Meeting room

Public facilities

Multifunctional toilets

Child room

Office entrance

Living room



**Assist function**

After moving the door to direction of opening about 2cm, the door will open automatically, and after a certain time, the door will close automatically.

**Highly safe return function**

It can return the door immediately to a reverse direction when the door hit the body or obstacles during its opening.

**Electronic locks compatible**

If you use specialized electronic lock (referring to page 10) and combined with the card reader, you can create an enter management system.

**Automatic type and assist type**

This model includes 2 types: Automatic type and assist type. You can choose for your purpose.

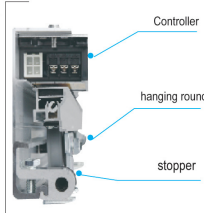
| Function                       | Automatic type | Assist type | Description  |
|--------------------------------|----------------|-------------|--|
| Assist function                | Standard       | Standard    | Manually move the door by 2cm, the door will automatically open.   |
| Hold full open                 | No             | Standard    | Withstand the door fully open for more than 3 seconds, the door will keep at the opening status.                               |
| Free stop                      | No             | Standard    | When the door is pushed back manually by 80mm during its opening, the door will stop at any position.                          |
| Half open                      | No             | Standard    | Adjust the opening scope by adjusting the knob between half-opening and full-opening.  |
| Safety Stop                    | Standard       | Standard    | When the door detects the obstacle continuously by 2 lines at the same position, the door would automatically stop for safety. |
| Equipped with electronic locks | Option         | No          | Choose to install electronic locks.  |
| Synchronized opening           | Standard       | No          | Use two engines to form the Bi-parting door.   |

**Specifications**

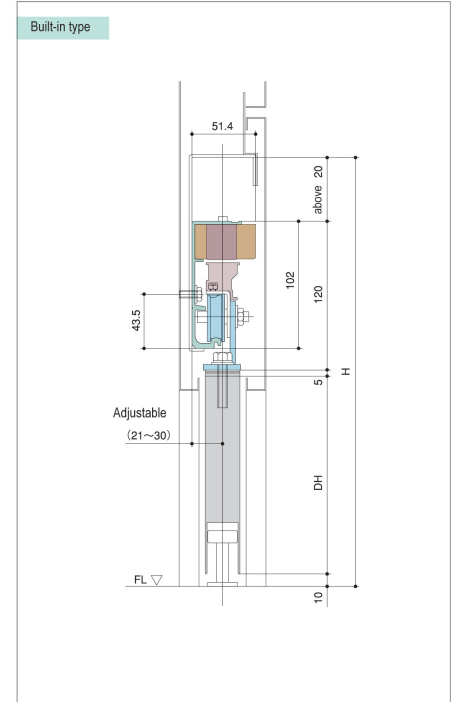
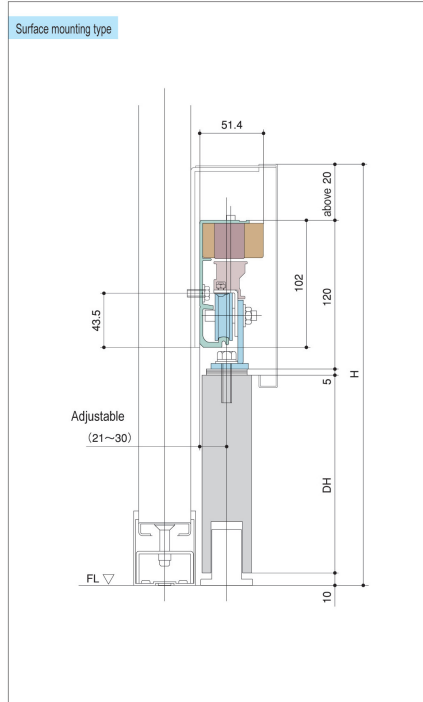
|                         |  |   |
|-------------------------|--|---|
| Model                   | MM 50  |   |
| Required power capacity | AC100V 10% 50/60Hz MAX: 4A   |   |
| Operating temperature   | -10 ~ 40 °C  |   |
| Power consumption       | Average when operating   | 0.2Wh/Once (Door Weight: 50kg/door)   |
|                         | Standby  | 2.8W (Starting sensors and auxiliary sensors are not included)<br>5.8W (Starting sensors and auxiliary sensors are not included)<br>Under pushing force |
| Motor type              | Magnet brushless DC linear motor movable type  |   |
| Thrust generation       | When three stators are all fully lapped: 40N   |   |
| Door weight             | 20 ~ 50kg / Door   |   |
| Door width              | > 700mm (If the electric lock equipped : > 800mm)  |   |
| * Self Weight           | About 7kg  |   |
| Opening speed           | 0.2~0.5 m/sec (set default: 0.4 m/sec)   |   |
| Closing speed           | Automatic type   | 0.2~0.5 m/sec (set default: 0.3 m/sec)  |
|                         | Assist type  | 0.2m/sec (fixed)  |
| Hold open time          | 1 ~ 10 seconds. When it's set at maximum, it enters into ratchet action status (Set default: 3sec) |   |

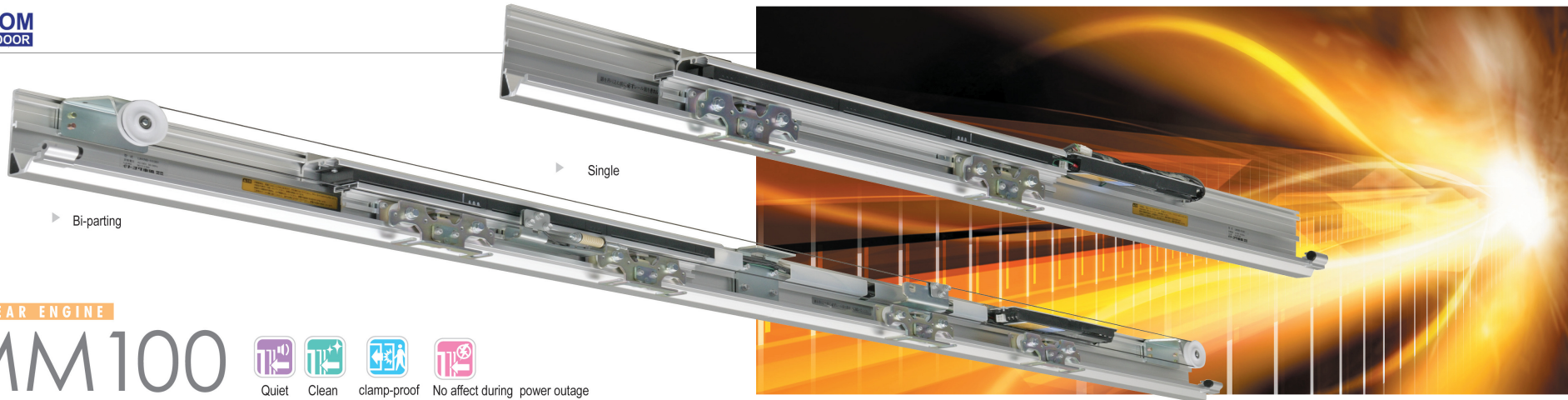
\* Weight may vary depending on rail length.

**Section**



**Section**





LINEAR ENGINE

# MM100

- Quiet
- Clean
- clamp-proof
- No affect during power outage

Recommended place for installation

- Apartment building
- Store
- Office Entrance
- Factory

Office entrance



Shopping Entrance



**Applicable the heavy door**

It can open a single door of 30-90Kg or a Bi-parting door of 25-75Kg. It is extremely ideal for exterior doors

**Quiet and smooth**

Since the door is driven by a linear motor, it can be opened or closed in extremely quiet and smooth way.

**Electronic locks compatible**

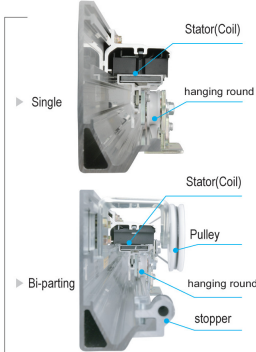
If you use specialized electronic lock (referring to page 10) and combined with the card reader, you can create an enter management system.

**Specifications**

|                         |   |  |
|-------------------------|---|--|
| Model                   | MM100   |  |
| Required power capacity | AC100V 10% 50/60Hz MAX: 7A                    |  |
| Operating temperature   | -10 ~ 40 ℃                                    |  |
| Power consumption       | Average when operating                        | 0.41Wh / Once ( Bi-parting, Door weight: 75kg / Door)          |
|                         | Standby                                       | 2.1W (Starting sensors and auxiliary sensors are not included) |
| Motor type              | No pushing force                              | 7.6W (Starting sensors and auxiliary sensors are not included) |
|                         | Under pushing force                           | Magnet brushless DC linear motor movable type                  |
| Thrust generation       | When three stators are all fully lapped: 136N |  |
| Door weight             | Single  | 30 ~ 90kg / Door   |
|                         | Bi-parting                                    | 25 ~ 75kg / Door   |
| Door width              | Single  | > 700mm (If the electric lock equipped : > 830mm)              |
|                         | Bi-parting                                    | > 650mm  |
| Self Weight             | Built-in type                                 | Single About 12kg  |
|                         | Surface mounting type                         | Single About 12kg  |
| Opening speed           | Single  | About 18kg   |
|                         | Bi-parting                                    | About 19kg   |
| Closing speed           | 0.2 ~ 0.5m/sec ( set default : 0.4m/sec)      |  |
| Hold open time          | 1 ~ 11 seconds ( set default : 3sec)          |  |

\* Weight may vary depending on rail length.

**Section**



**Section**

