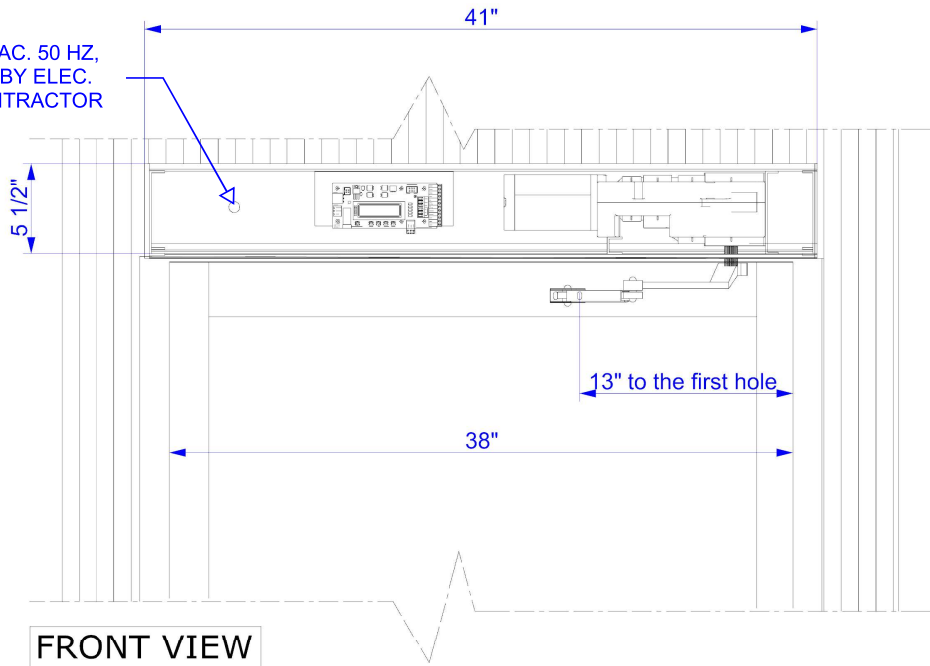
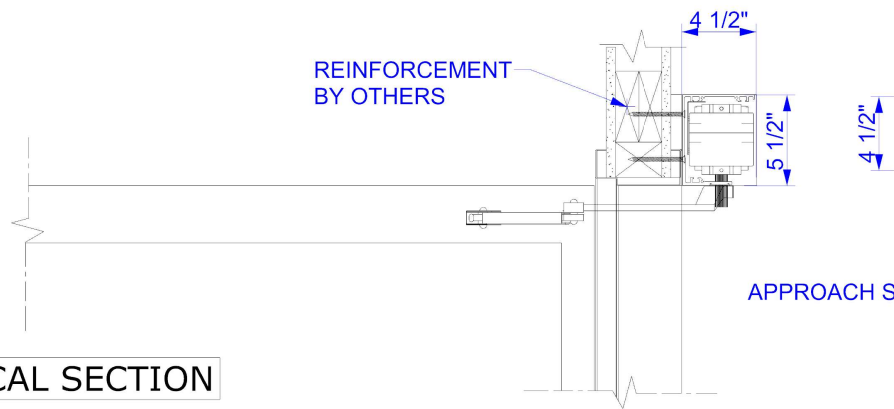


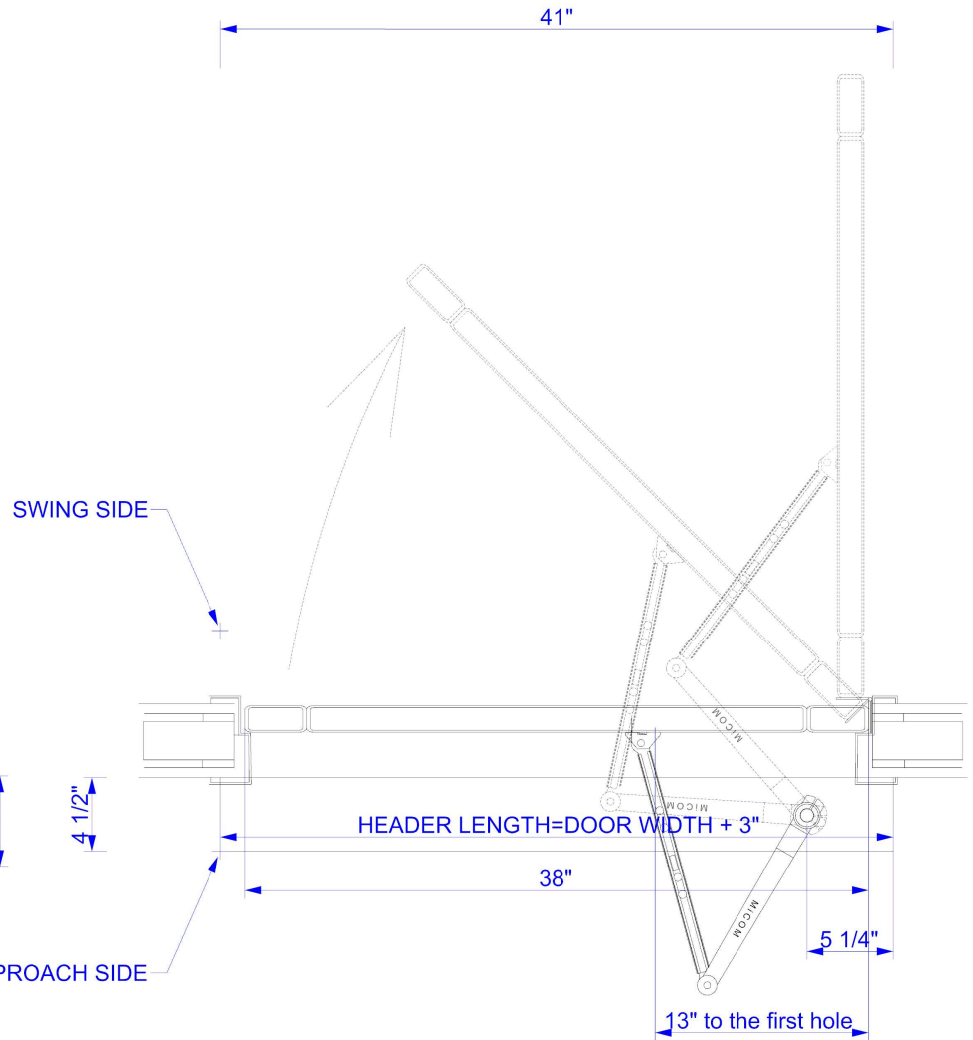
120 AC, 50 HZ,
15A BY ELEC.
CONTRACTOR



FRONT VIEW



VERTICAL SECTION



TOP VIEW



MICOM Americas Inc.
220 Viceroy Rd.
Unit 15
Vaughan, ON L4K 3N9
Tel: +1 905 851 8688
www.micomamericas.ca

CLIENT:

PROJECT:

DRAWING TITLE

RIGHT HAND PUSH

Notes:

ALL DIMENSIONS ARE IN INCH. UNLESS OTHERWISE SPECIFIED.

Architect

REV	DATE	DESCRIPTION	CHKD	APP.
03	01-31-18	FOR APPROVAL		
04	02-12-18	FOR APPROVAL		
05	04-16-18	FOR APPROVAL		

SCALE AS NOTED	DATE 04.16.18	DRAWN BY M.K	CHECKED BY	APPROVED BY
SECTION RHPUSH				SHEET NO. 04