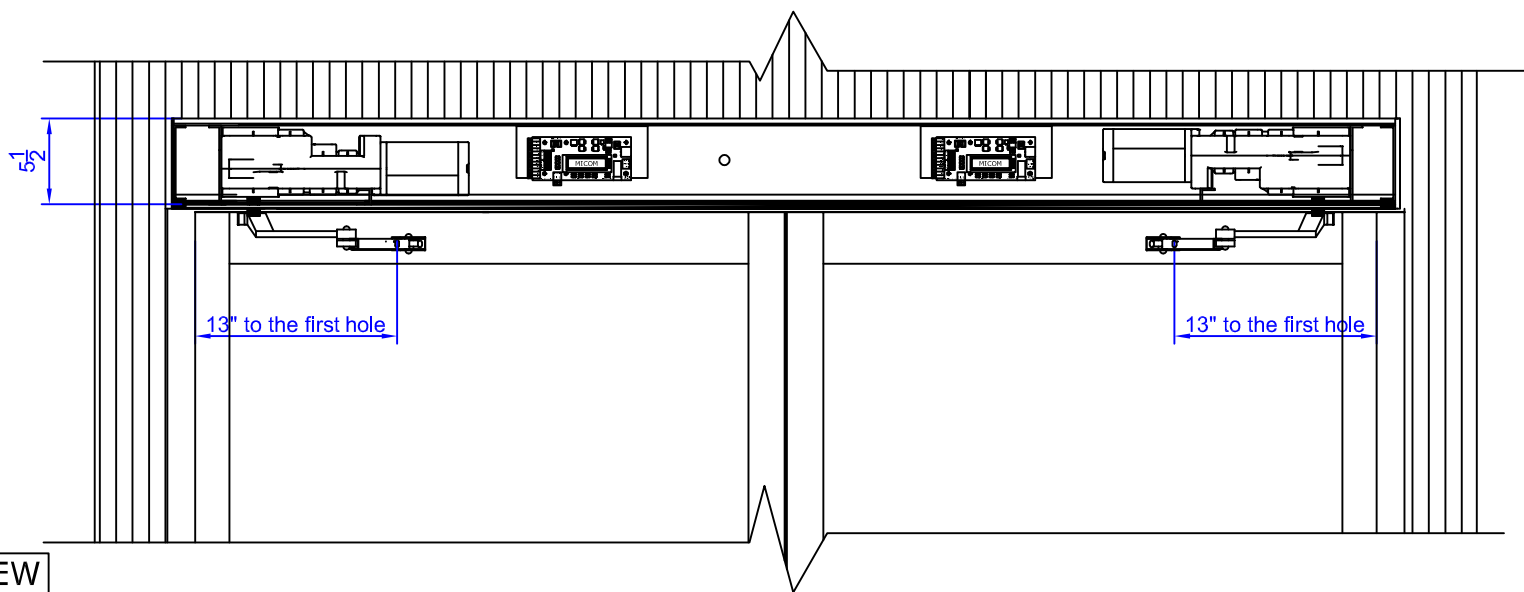
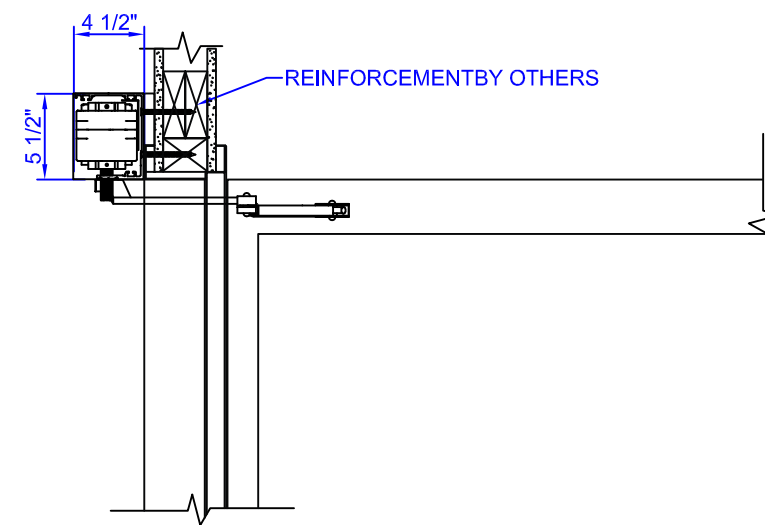


TOP VIEW



FRONT VIEW



VERTICAL SECTION

MICOM Americas Inc.

220 Viceroy Road, Vaughan, ON
 L4K 3C2 Canada / UNIT 15
 Tel : +1 905 851 8688
 www.micomamericas.ca

CLIENT :

PROJECT :

DRAWING TITLE

Bi-Part Push

Notes:

ALL DIMENSIONS ARE IN INCH, UNLESS OTHERWISE SPECIFIED

Architect

REVISIONS

REV	DATE	DESCRIPTION	CHKD	APP.

SCALE
AS NOTED

DATE

DRAWN BY
MICOM

CHECKED BY

APPROVED BY

SECTION.
Bi-Part Push

SHEET NO.
07