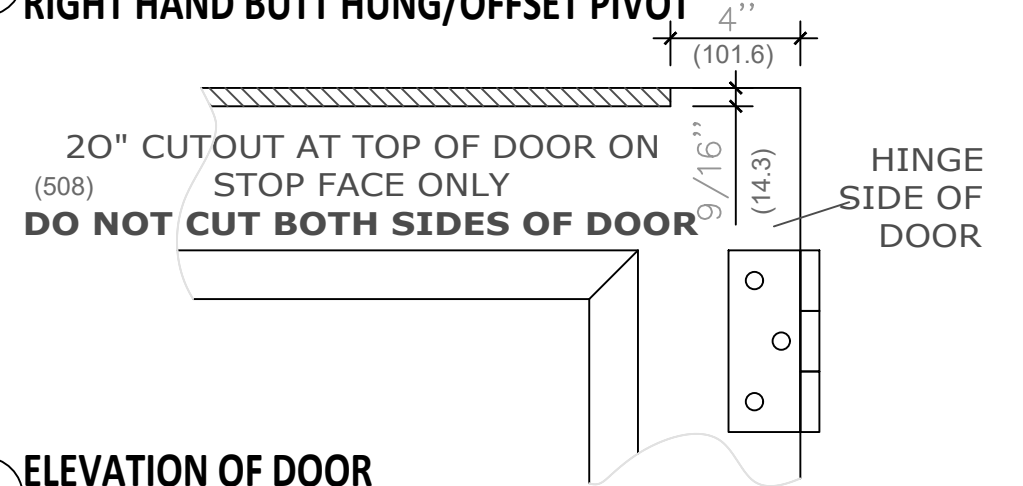
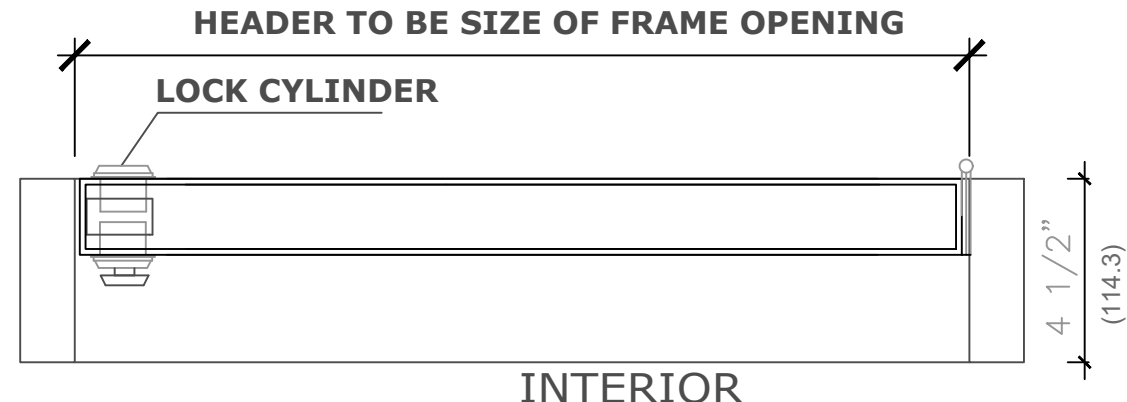


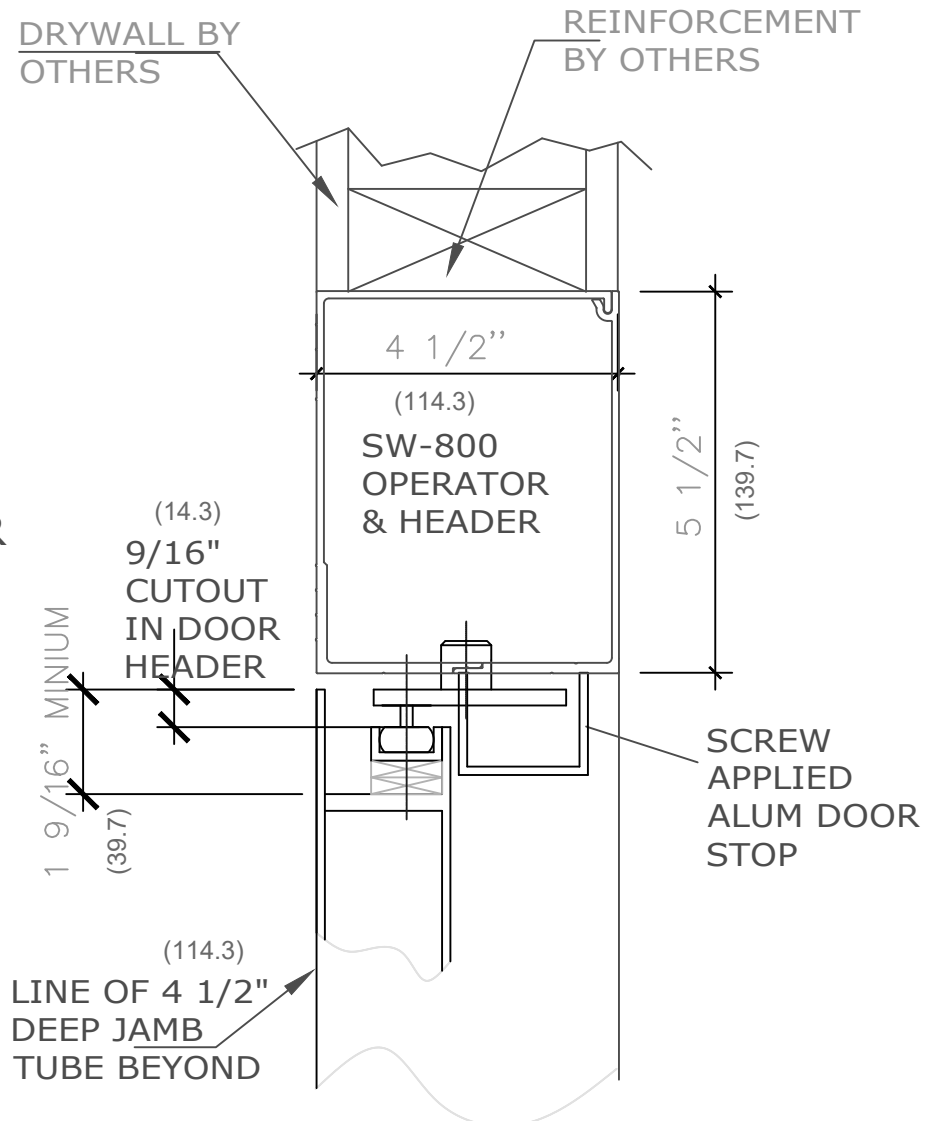
A PLAN
RIGHT HAND BUTT HUNG/OFFSET PIVOT



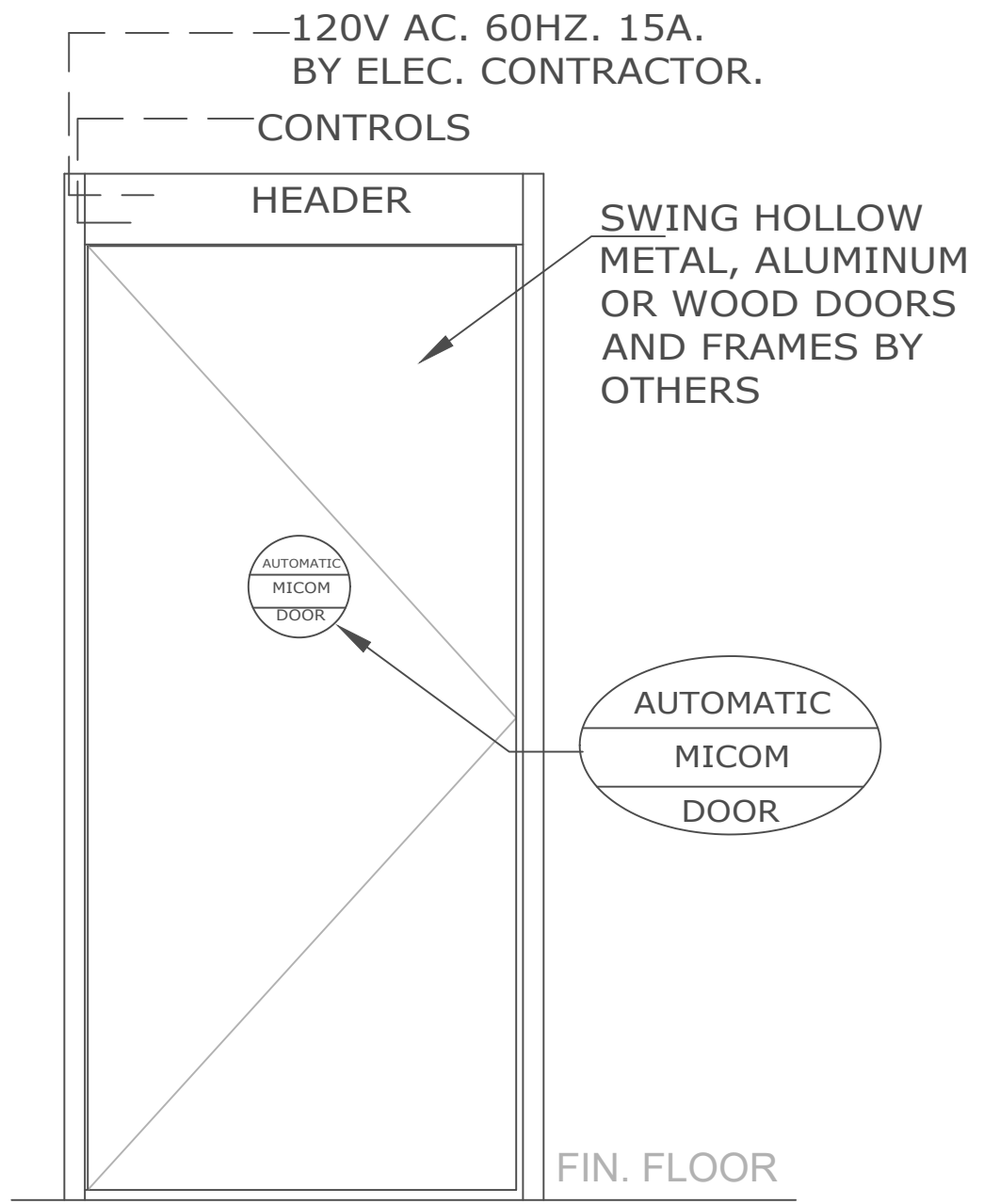
B ELEVATION OF DOOR
RIGHT HAND BUTT HUNG/OFFSET PIVOT



C HORIZONTAL SECTION
RIGHT HAND BUTT HUNG/OFFSET PIVOT



D VERTICAL SECTION
RIGHT HAND BUTT HUNG/OFFSET PIVOT



E ELEVATION
RIGHT HAND BUTT HUNG/OFFSET PIVOT



Micom Americas Inc.
220 Viceroy Road Unit 15
Vaughan, ON L4K 3C2
P: 905-851-8688
www.Micomamericas.ca

CLIENT: _____
PROJECT: _____

DRAWING TITLE
SMART SWING - SW-800 - CP
RIGHT HAND BUTT HUNG/OFFSET PIVOT

Notes:
STANDARD FINISH: ANODIZED, CLEAR,
DARK BRONZE, BLACK

Architect

REVISIONS				
REV	DATE	DESCRIPTION	CHKD	APP.
01	02.06.21	FOR REVIEW		

SCALE AS NOTED	DATE 02.06.21	DRAWN BY	CHECKED BY	APPROVED BY
-------------------	------------------	----------	------------	-------------

DRAWING NO. SW-800-CP	REVISION 01
--------------------------	----------------