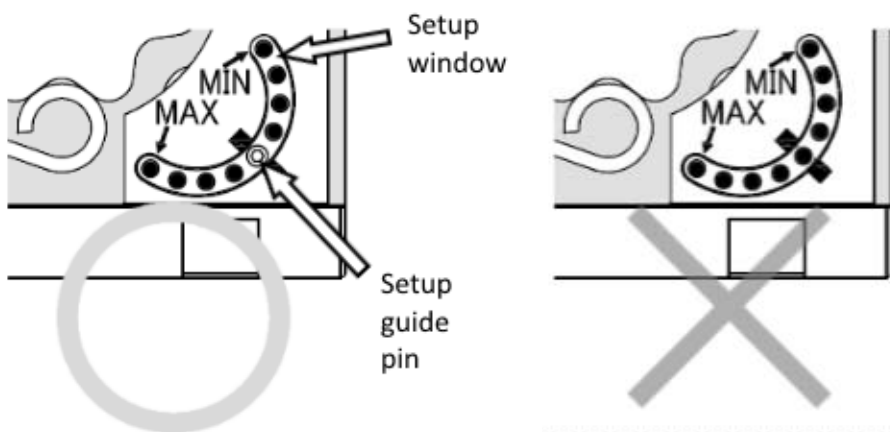
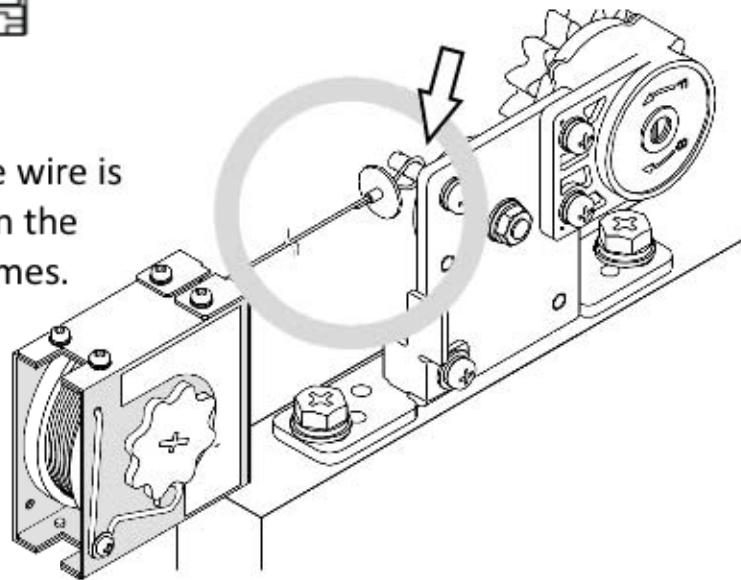


Make sure that the wire is securely hooked on the hanger pin at all times.



CAUTION

Make sure that the setup guide pin is always seen from the setup window.

(If the setup guide pin cannot be seen from the window, it means that the unit has been overly adjusted weak or strong and will eventually cause damage.)

Warning: Failure to above instructions will cause serious damage against the device. The unit may no longer work properly and will need to be replaced.

(Ex. Wire will no longer get retracted into the case. Shackle or wire ring will be badly damaged or deformed.)

