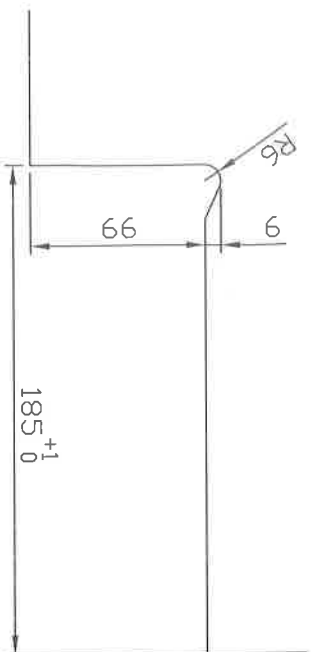
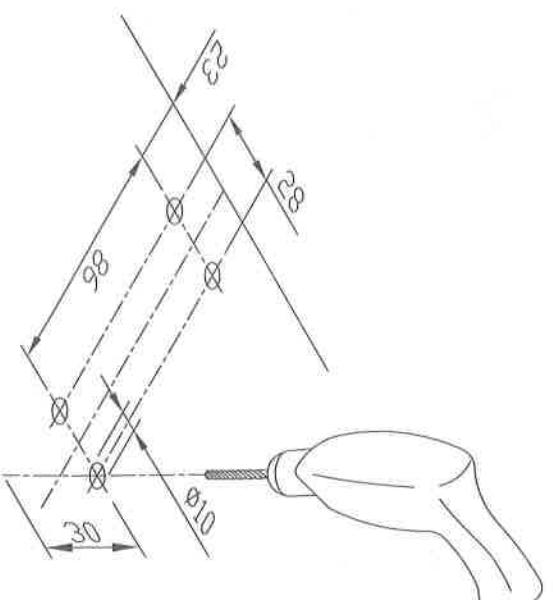


Glass Cutout



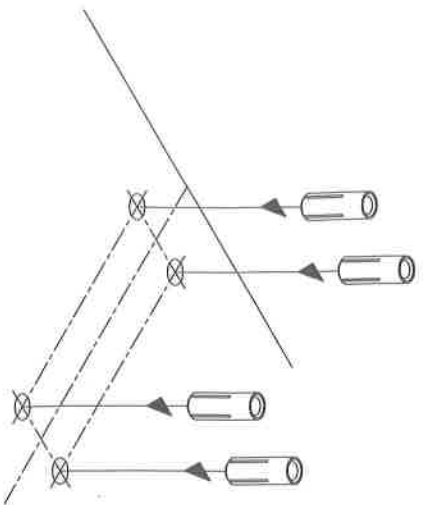
Unit : mm

1

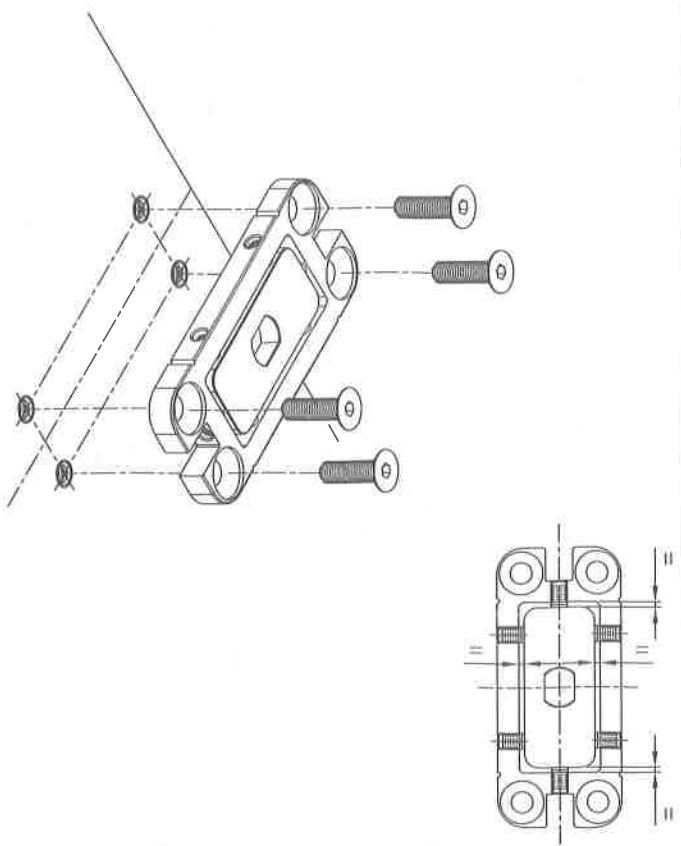


Unit : mm

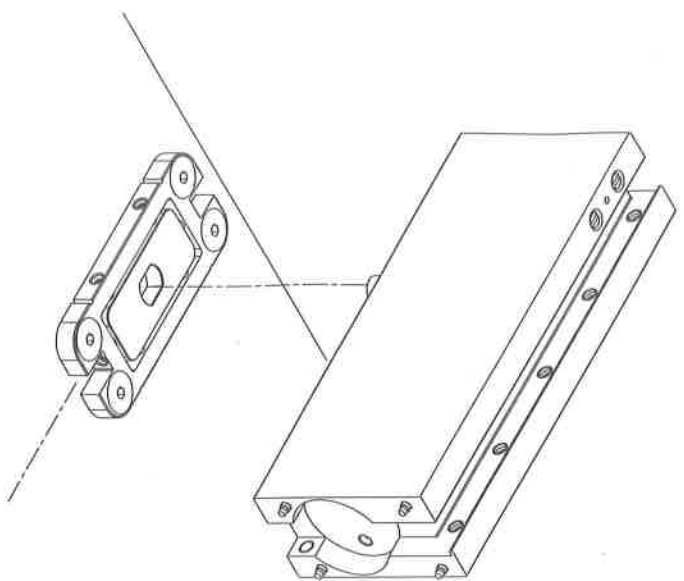
2



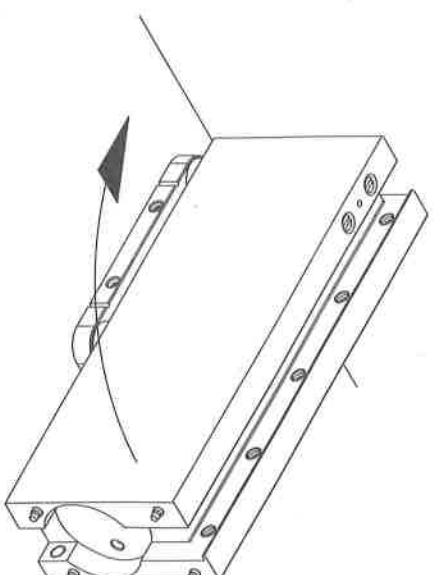
3



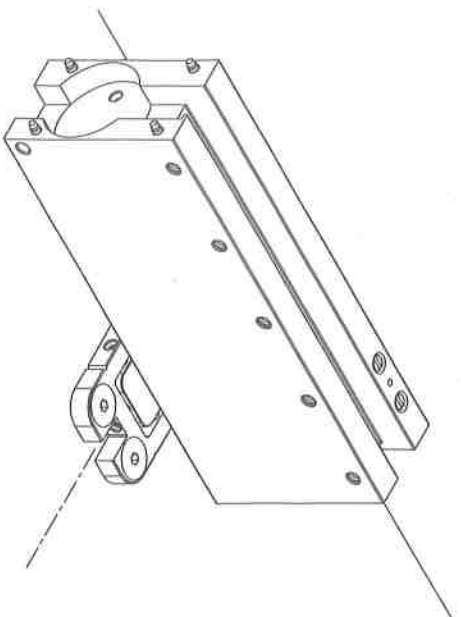
4



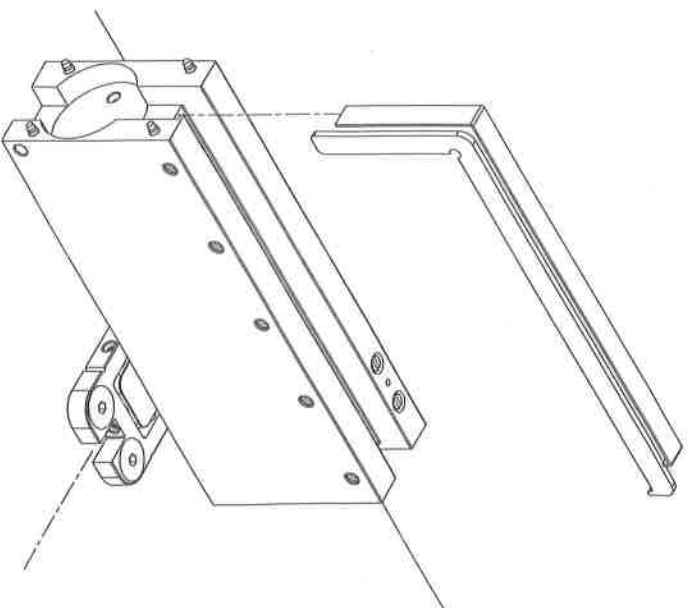
5



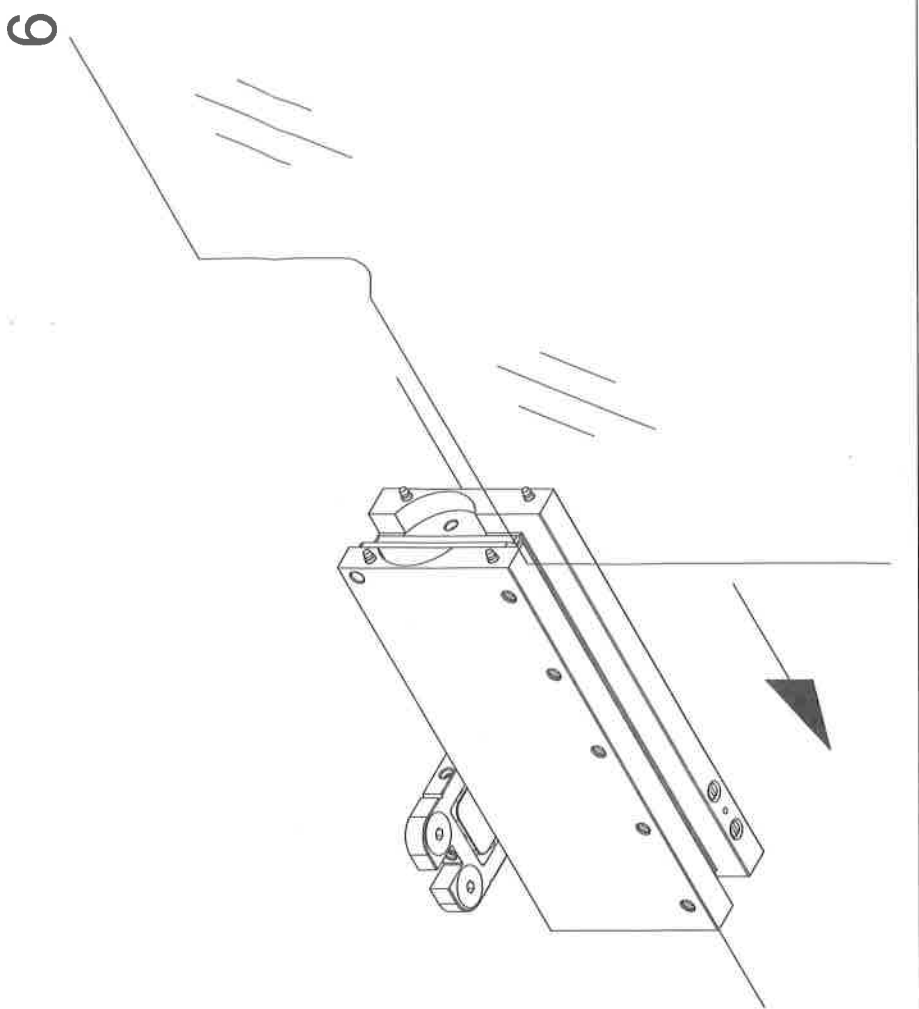
6



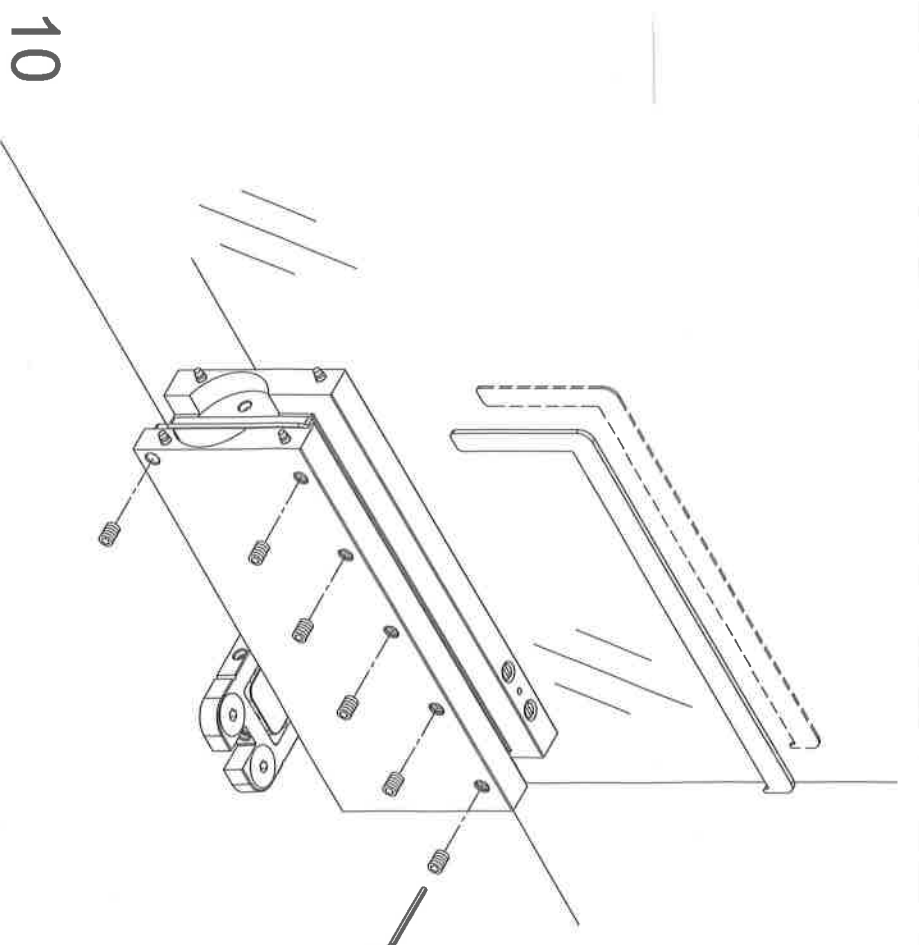
7



8

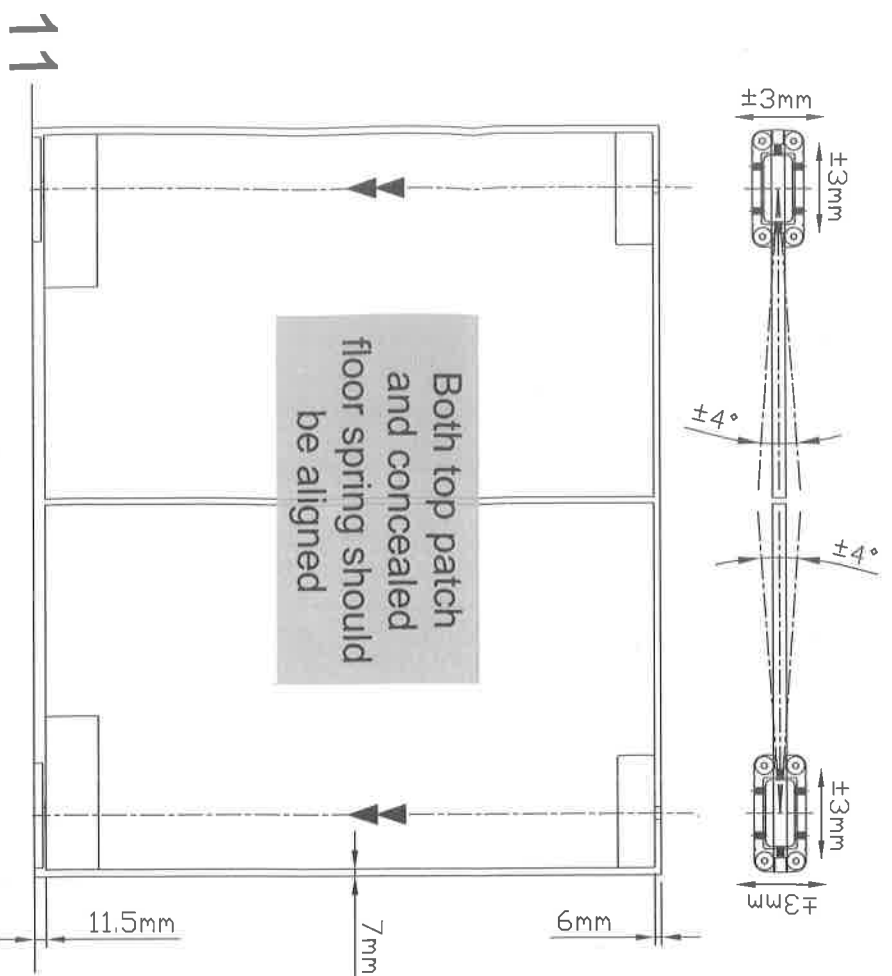


9

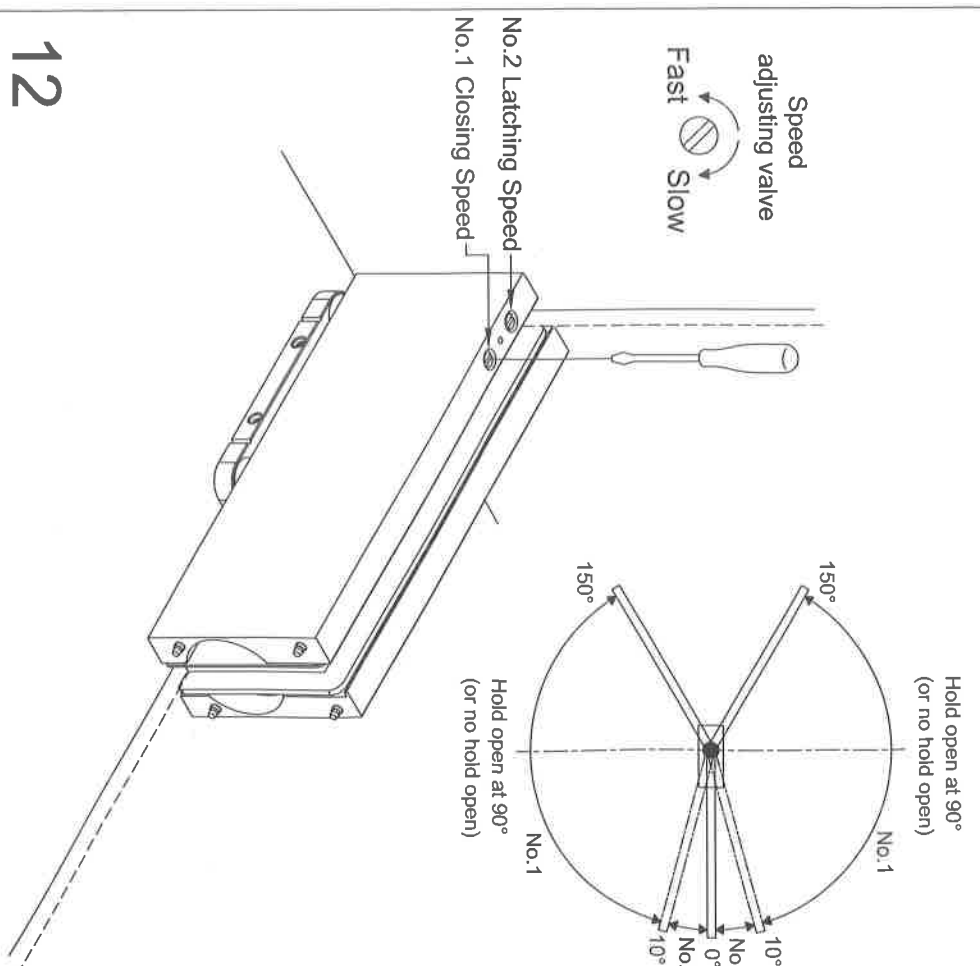


10

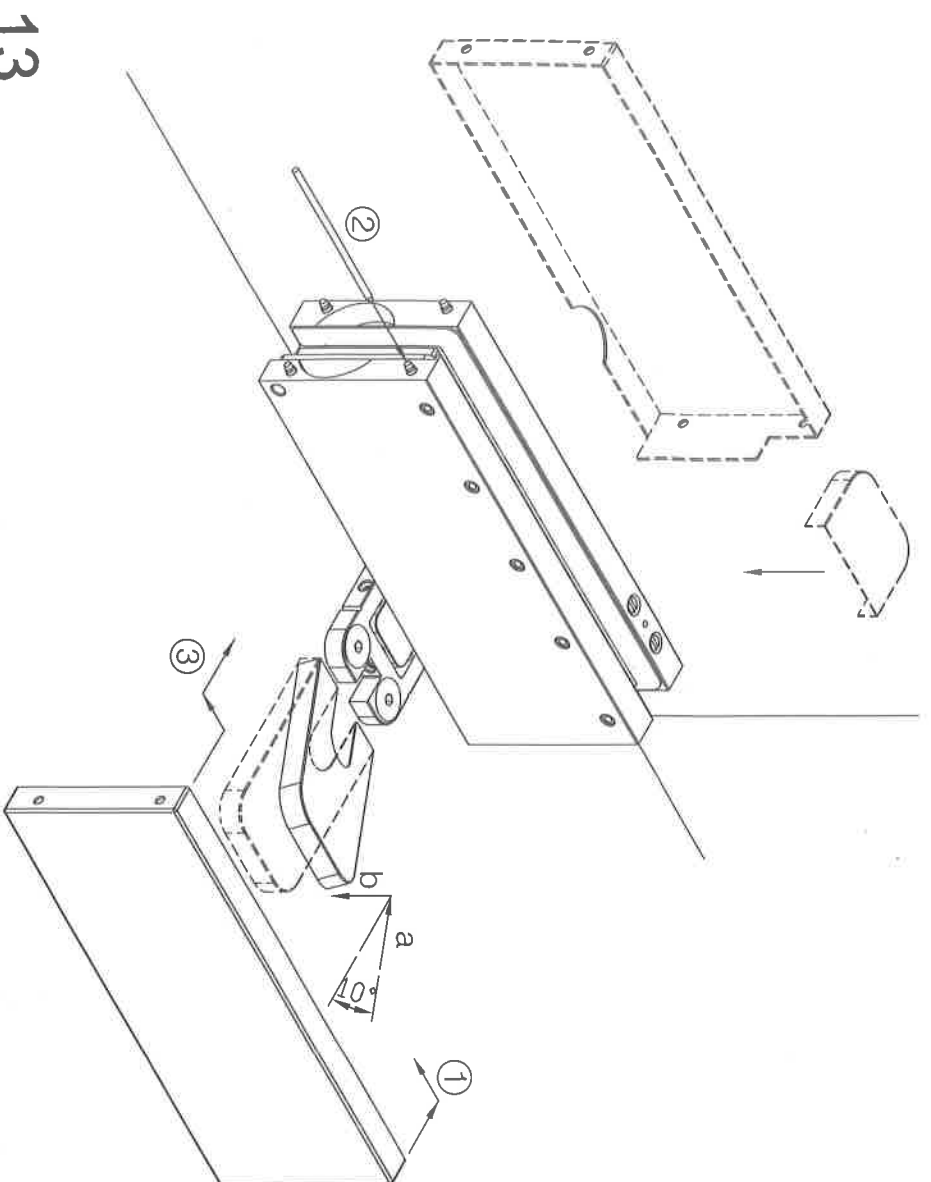
Door adjustment



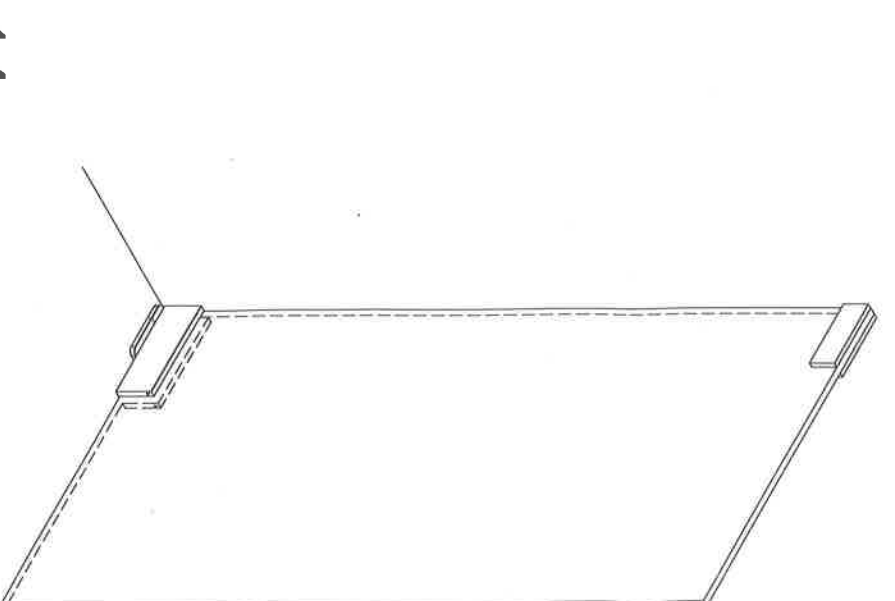
11



12



13



14