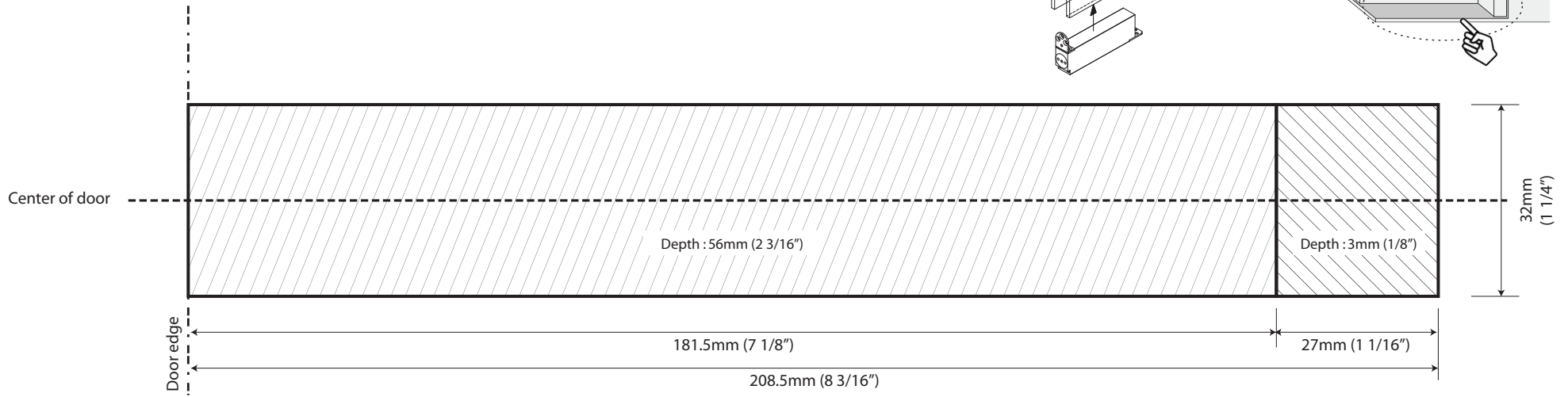
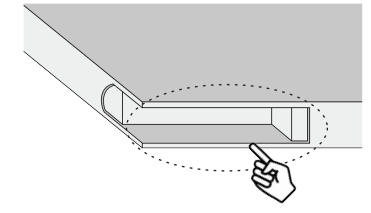
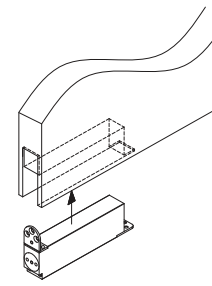


Pivot Door Closer Model: **PDC103W-(S)**
 Template for Closer Body (Door Bottom)



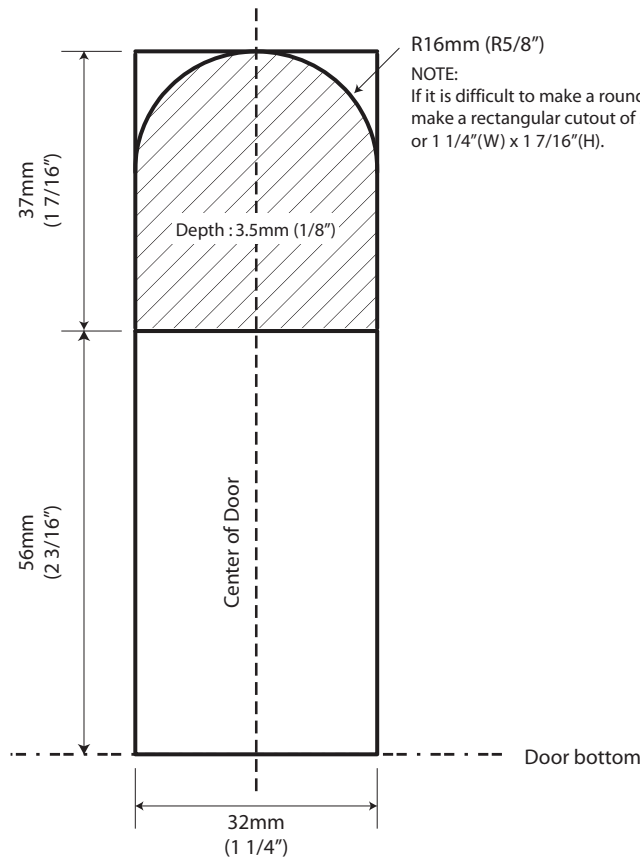
NOTE:
 Do not change the scale when printing. On the Printer Setup, choose "Letter" for paper size and select "Actual Size" for print sizing.



Pivot Door Closer Model: **PDC103W-(S)**
 Template for Closer Body (Door Back)



NOTE:
 Do not change the scale when printing. On the Printer Setup, choose "Letter" for paper size and select "Actual Size" for print sizing.



NOTE:
 If it is difficult to make a round cutout, simply make a rectangular cutout of 32mm(W) x 37mm(H) or 1 1/4"(W) x 1 7/16"(H).

