

SELECTION CHART / FUNCTION & ADJUSTMENT

SELECTION CHART

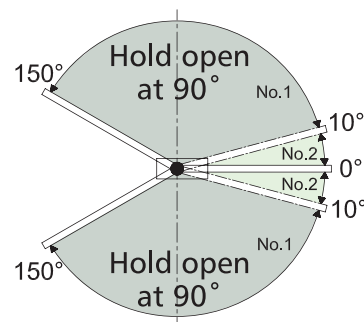
MODEL NO.	Function	Door width	Door weight	Max. opening angle
PDC100	Non-hold open	1000mm (39 3/8 in.)	100kg (220lbs)	150°
PDC100-S	Hold open 90°			90°
PDC105	Non-hold open	1250mm (49 3/16 in.)		150°
PDC105-S	Hold open 90°			90°

1

Double action

Non hold open model PDC100/105:
Maximum opening angle 150°

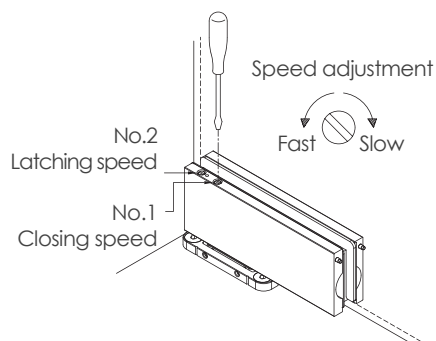
Hold open model PDC100-S/105-S:
Hold open position and maximum
opening angle 90°



2

Two speed adjustment

Closing speed (150°~ 10°)
Latching speed (10°~ 0°)



3

Providing over 70% efficiency, the NHN PDC100 combines light opening with smooth closing.

