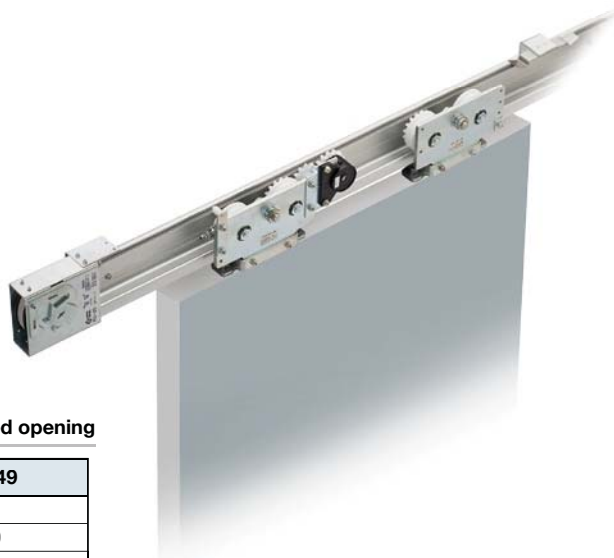


For very heavy steel doors, horizontal type
Door weight : 150-250kg

NSC-C2525

Features

- All-range brake (damper) system ensures safe and reliable door closing control, preventing slamming against the door frame, finger pinching etc. (PAT.P)
- The product can be used for both left and right hand sliding doors and can be easily converted between left and right by simple adjustment.
- 155mm(H) x 75mm(D) required space in frame - Compact and slim design offers space-saving ideas and cost efficiency.

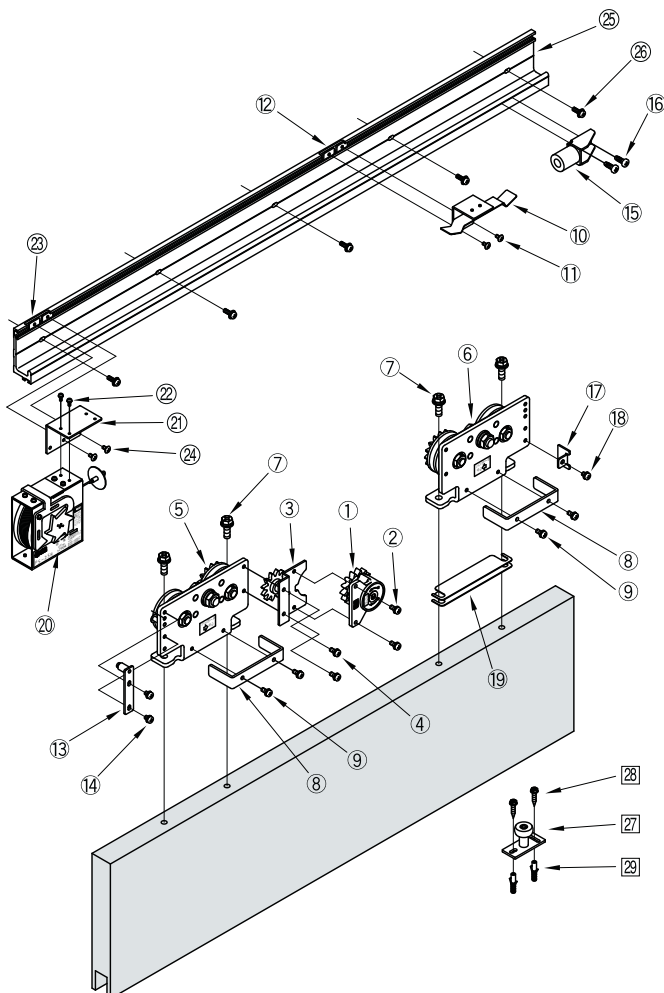


Specifications

right and left handed opening

Model		NSC-C2525-31	NSC-C2525-49
Applicable doors	Weight [kg]	150-250	
	Width [mm]	900-1,600	1,600-2,500
Max. stroke [mm]		2,400	
Closing drive system		Spiral spring type	
Controlling system		Fluid friction resistance type	
Controlling time		7-11 seconds (with a door-opening distance of 900mm)	
Initial opening force [N]		31.4 (Door weight 150kg), 36.5 (Door weight 250kg)	
Durability		More than 200 thousand open/close operations	
Control device		SC-C25	
Pull spring		PS-25	
Rail length [m]		3.1	4.9

Part details



No.	Part	Q'ty	Remark
①	Control device	1	For control device
②	M5×12 pan head screw	2	
③	Control device bracket	1	
④	M5×12 pan head screw	2	For hanger
⑤	Hanger A	1	
⑥	Hanger B	1	
⑦	M8×25 hexagon head bolt	4	Door retention
⑧	Door retaining fitting Hanger	2	
⑨	M5×12 pan head screw	4	
⑩	Plate spring	1	For stop device
⑪	M4×8 truss head screw	2	
⑫	Plate nut	2	
⑬	Stop roller	1	For door stopper
⑭	M5×8 pan head screw	2	
⑮	Door stopper	1	
⑯	φ6×19 pan head drilling screw	2	For pull spring
⑰	Door stopper bearing plate	1	
⑱	M5×8 pan head screw	1	
⑲	Height adjusting plate (t = 1.0)	4	For rail
⑳	Pull spring	1	
㉑	Pull spring bracket	1	
㉒	M3×8 pan head screw	2	For rail
㉓	Plate nut	2	
㉔	M4×8 pan head screw	2	
㉕	Rail L = 3100 [L = 4900]	1	For guide roller (Option)
㉖	M5×16 pan head screw	11[17]	
㉗	Guide roller *	1	
㉘	φ5×25 Hexagon head tapping screw	2	For guide roller (Option)
㉙	M5×12 Hexagon head screw	2	
㉚	Fischer plug 6X30	2	

*4 types, φ16, φ25, φ30, φ35

