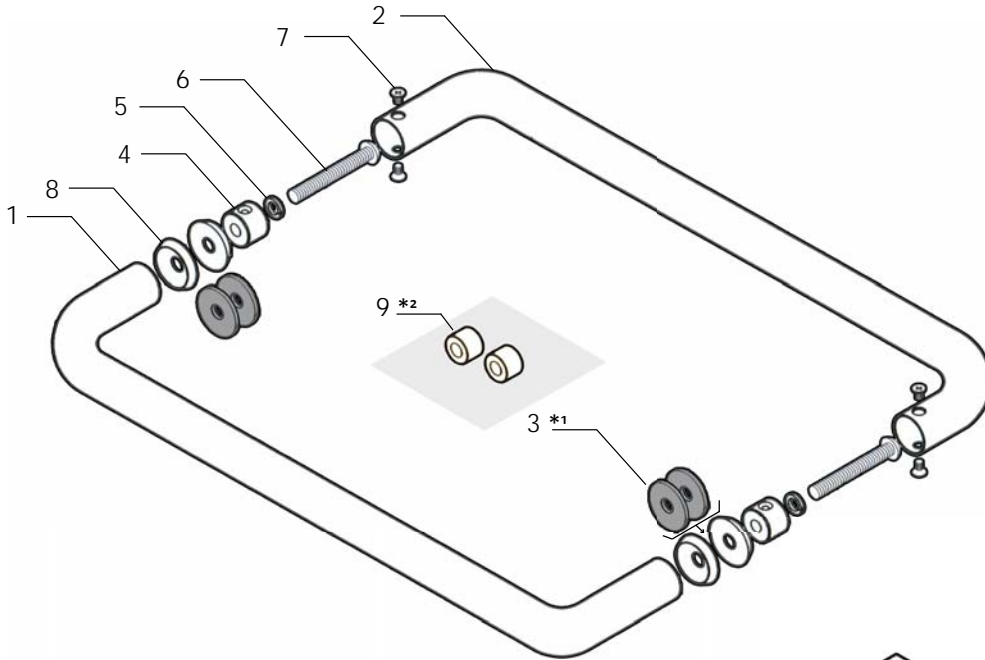


KHU series Contemporary Door Handle



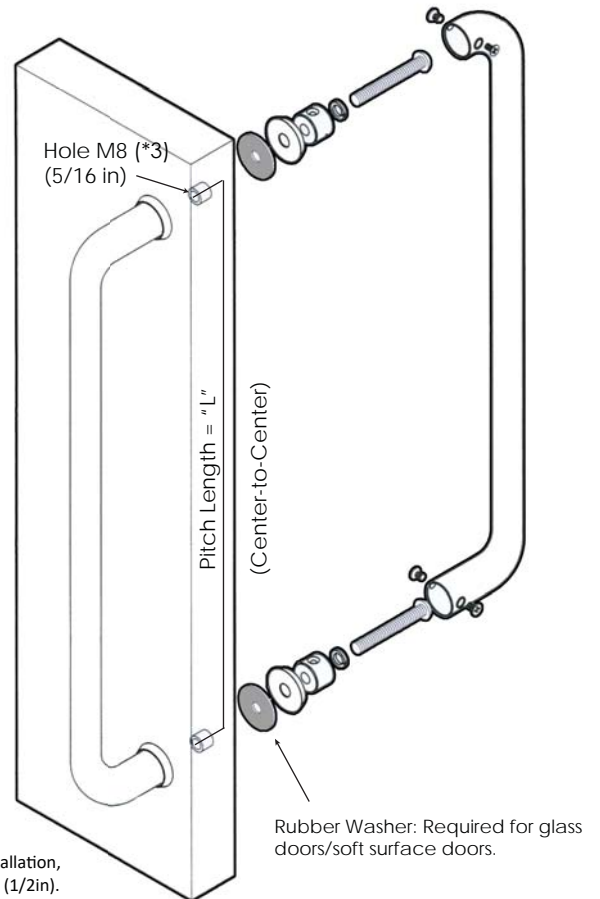
Item

1. Handle A
2. Handle B
3. Rubber washer
(*1 Required for glass doors/soft surface doors.)
4. Fixing bracket
5. Spring washer
6. Center bolt
7. Screw
8. End cap
9. Rubber bush
(*2 For glass doors.)

QTY

- 1
1
4
2
2
2
4
4
2

Model	Length "L"
KHU-12-D	275 mm (10-13/16 in)
KHU-16-D	425 mm (16-3/4 in)
KHU-18-D	457 mm (18 in)
KHU-22-D	573 mm (22-9/16 in)



*3 : For glass door installation, prepare M12 hole (1/2in).



KENWA
TRADING CORPORATION

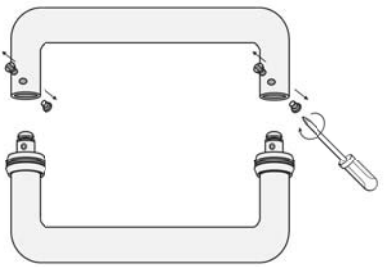
NHN[®]
Closing Solutions

380 N BROADWAY SUITE 302
JERICO NY 11753 U.S.A.

P: +1-516-933-6016
F: +1-516-933-6018
E: ktc@kenwa.net
<http://kenwa-america.com>

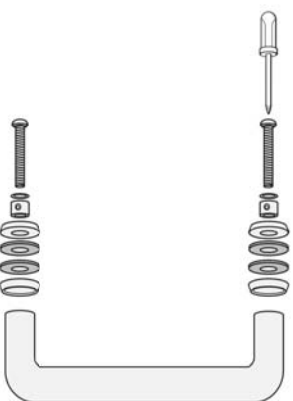
E.&O.E.All sizes, photo's and drawings are subject to change without prior notice.
Copyright © 2016 KENWA TRADING CORPORATION NY USA All Rights Reserved.

1



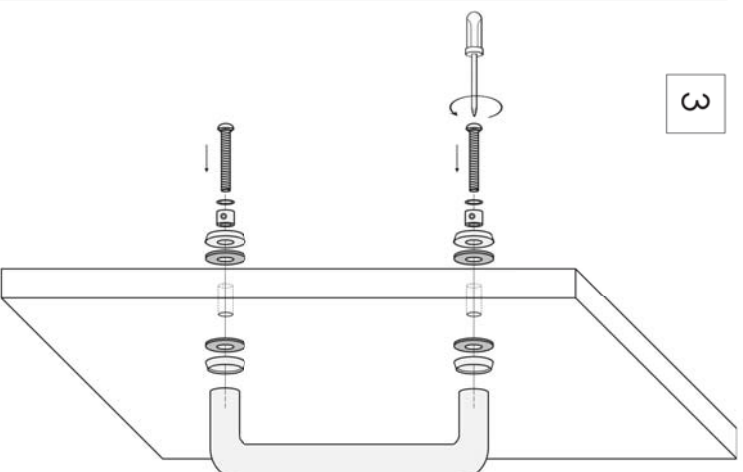
Unscrew 4 x M4 screws by screwdriver.

2



Loosen 2 x M8 center bolts by screwdriver.

3

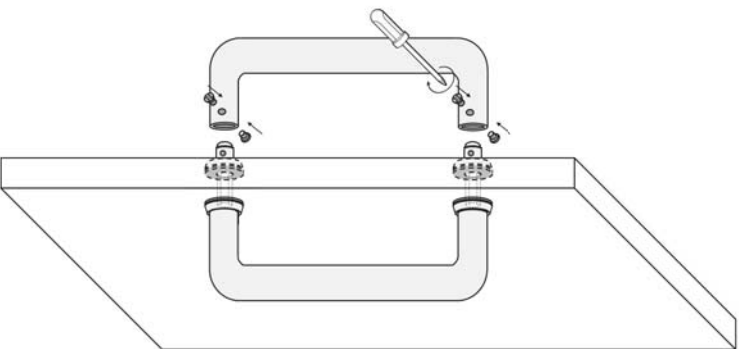


3-1. Drill mounting holes on the door.
(Hole size/pitch: See page 1.)

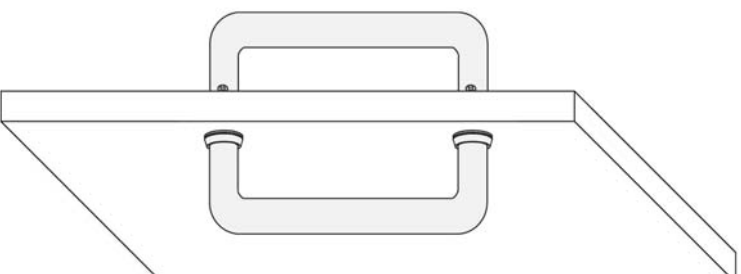
3-2. Mount the outer handle on the door along with rubber washers, end caps, fixing brackets and spring washers as shown in the left figure.
(For glass door, use rubber bush.)

3-3. Tighten 2 x M8 center bolts by screwdriver.

4



4-1. Mount the inner handle aligned to the outer handle.
4-2. Tighten 4 x M4 screws by screwdriver.



Completed.