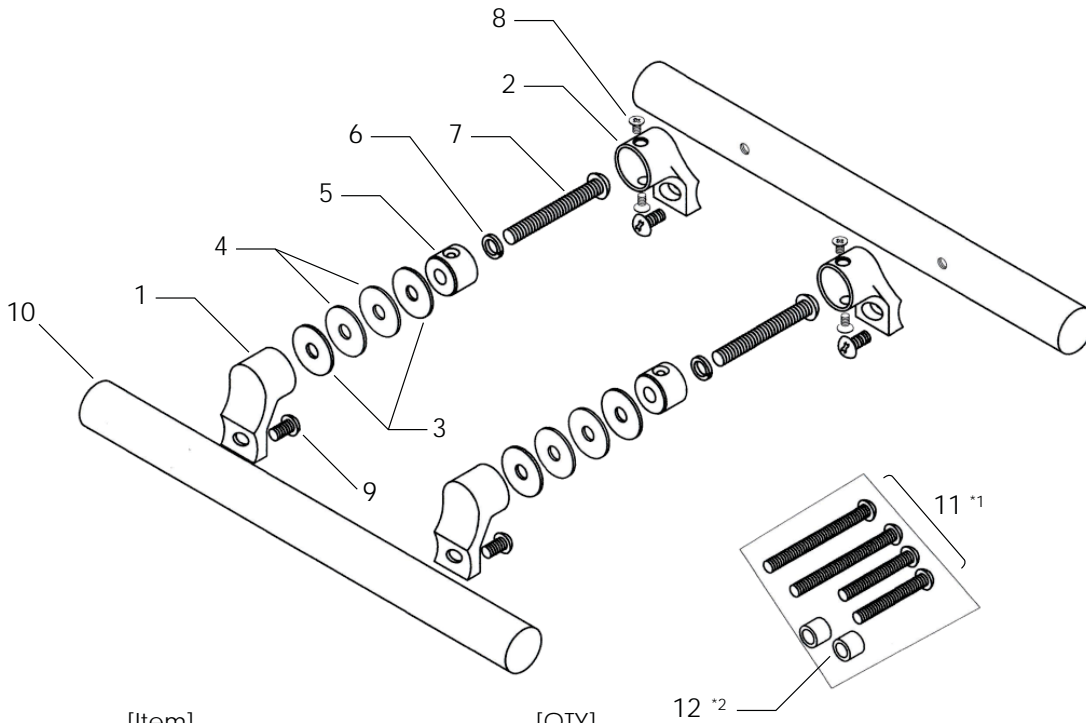
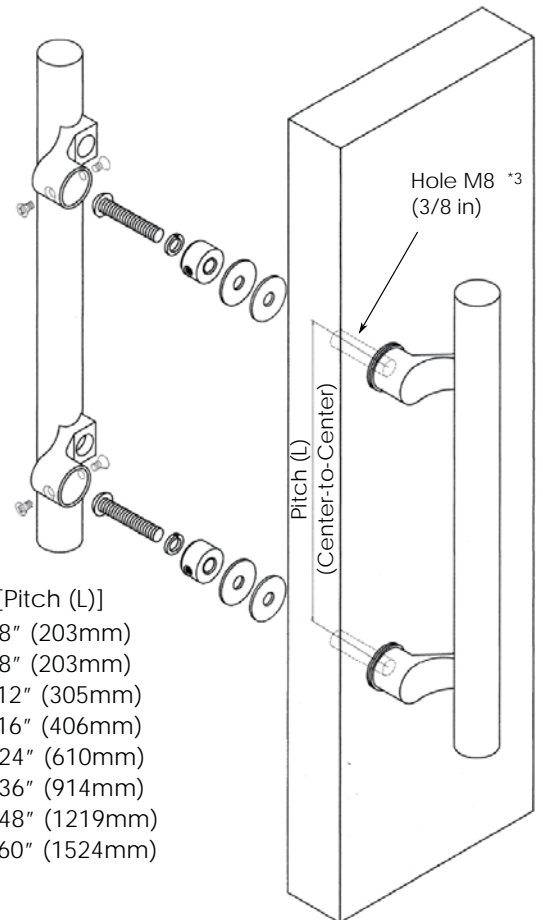


KHSO series Contemporary Door Handle



[Item]	[QTY]
1. Handle stand A	1
2. Handle stand B	1
3. Metal washer	4
4. Rubber washer	8
5. Fixing bracket	2
6. Spring washer	4
7. Center bolt	2
8. M4 Screw	4
9. Stand bolt	4
10. Handle pipe	2
11. Center bolts	4
(*1 For different door thickness)	
12. Rubber bush	2
(*2 For glass door)	



[Model]	[Pitch (L)]
KHS-12/8	8" (203mm)
KHS-16/8	8" (203mm)
KHS-18/12	12" (305mm)
KHS-24/16	16" (406mm)
KHS-36/24	24" (610mm)
KHS-48/36	36" (914mm)
KHS-60/48	48" (1219mm)
KHS-72/60	60" (1524mm)

*3 : For glass door installation, prepare M12 hole (1/2in).



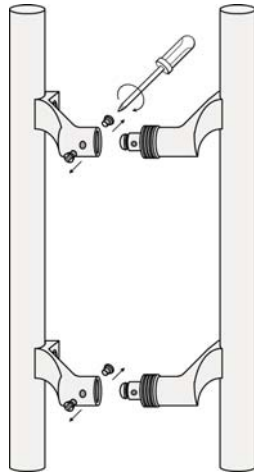
KENWA
TRADING CORPORATION

NHN
Closing Solutions

380 N BROADWAY SUITE 302
JERICHO NY 11753 U.S.A.
P: +1-516-933-6016
F: +1-516-933-6018
E: ktc@kenwa.net
<http://kenwa-america.com>

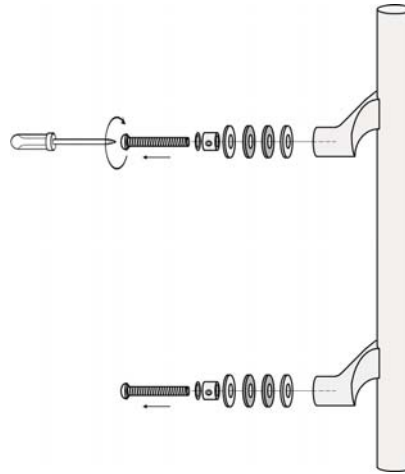
E.&O.E.All sizes, photo's and drawings are subject to change without prior notice.
Copyright © 2016 KENWA TRADING CORPORATION NY USA All Rights Reserved.

1



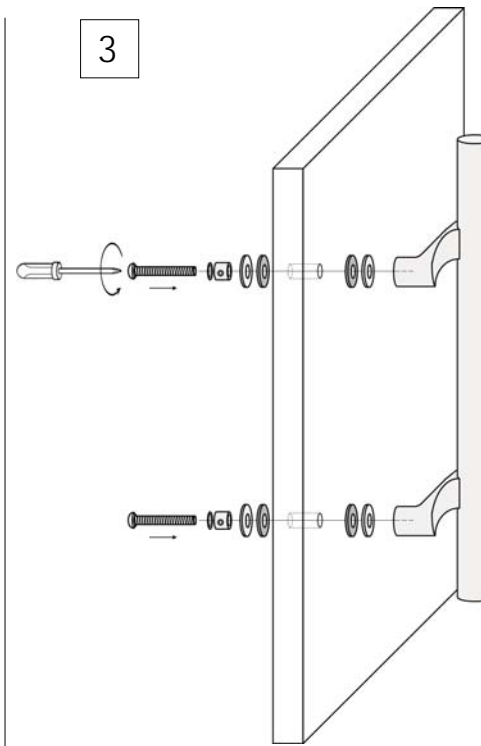
Unscrew 4 x M4 screws by screwdriver.

2



Loosen 2 x M8 center bolts by screwdriver.

3

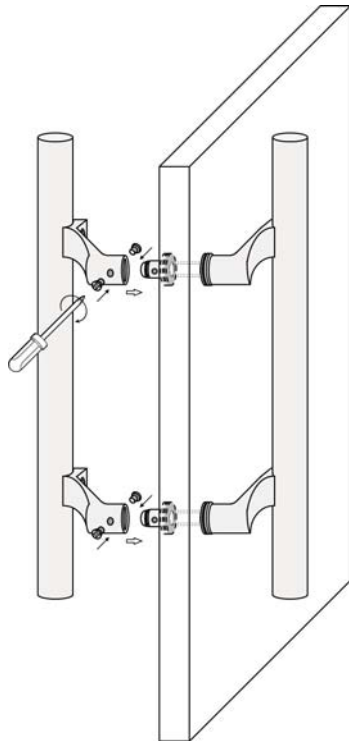


3-1. Drill mounting holes on the door.
(Hole size/pitch: See page 1.)

3-2. Mount the outer handle on the door along with rubber washers, end caps, fixing brackets and spring washers as shown in the left figure.
(For glass door, use rubber bush.)

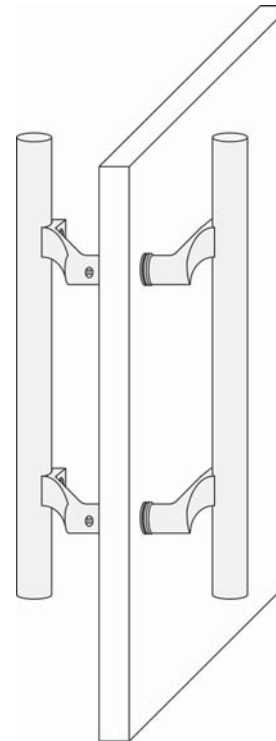
3-3. Tighten 2 x M8 center bolts by screwdriver.

4



4-1. Mount the inner handle aligned to the outer handle.

4-2. Tighten 4 x M4 screws by screwdriver.



Completed.