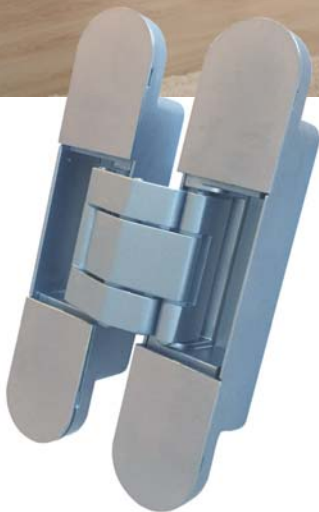


NHN



Invisible Door Hardware

Hidden Door Hinge
Concealed Door Closer



NHN Invisible Door Hardware



Hidden Door Hinge / Concealed Door Closer

Features

NHN invisible door hardware offers beautiful and contemporary **streamline appearance** to the doors. The high performance concealed door closer and the completely hidden door hinge are suitable for wooden, steel and aluminum doors, ideal solution for modern commercial buildings and residential buildings.



NHN KT3D is an innovative door hinge that is **completely concealed** into door and door frame.

The 3-D adjustability enables to make the hinge installation very easy and highly efficient. The opening angle of 180 degrees allows door to swing fully open. Combining with NHN 1600U-M concealed door closer, offers beautiful and contemporary streamline door appearance with self-closing feature.



NHN 1600U-M is a super-thin, stylish, robust and high performance **Concealed Door Closer**. With the door closed, the main body and lever are completely concealed into door and door frame to streamline the external appearance. Combining quality, efficiency and functionality, NHN 1600U-M provides smooth door closing motion utilizing a needle bearing, ideal for hotel rooms, reception rooms, powder rooms, hallways, modern offices etc.

NHN invisible door hardware is a smart solution that integrates functionality into design.

Perfect for hotel guest rooms / conference rooms / reception rooms / modern storage / powder rooms / hallway doors etc.



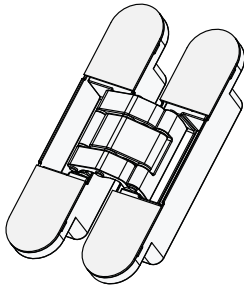
NHN Invisible Door Hardware



Hidden Door Hinge / Concealed Door Closer

Lineups

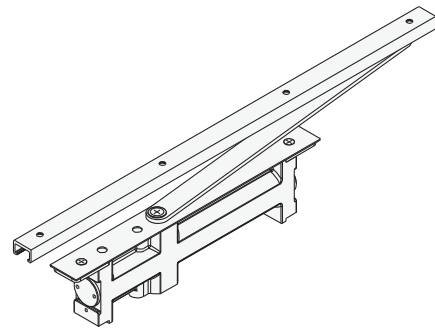
NHN KT3D series
Hidden Door Hinge



- Concealed into door and door frame.
- 3-D adjustability : horizontal +3mm/-2mm, vertical ± 3 mm and depth ± 1 mm
- Opening angle :180 degrees
- Non-handed, can be used for right/left-opening doors
- Body: Special zinc alloy
- Arms: Aluminum

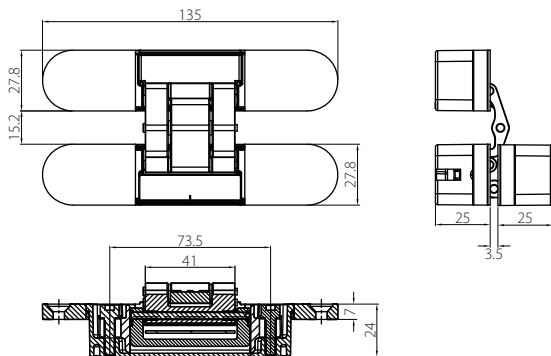
| Model | KT3D-140 | KT3D-190 |
|------------------------------------|---|---|
| Use | Internal only | |
| Max door size | 900 x 2400 mm (35.4 x 94.5") | |
| Min door thickness | 40 mm (1.6") for wooden door 36 mm (1.4") for steel door | 45 mm (1.8") for wooden door 40 mm (1.6") for steel door |
| Max door weight (with 2 hinges) | 60 kgs. (132 lbs.) | 100 kgs. (220 lbs.) |

NHN 1600U-M series
Concealed Door Closer

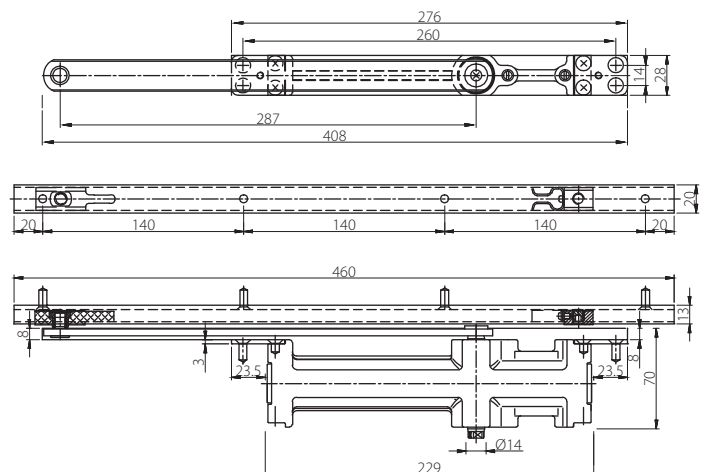


- Slim body, stylish, high quality and performance.
- Concealed into door and door frame
- Dual speed adjustability (closing and latching speeds)
- Standard hold-open function
- Adjustable opening angle and hold-open position
- Aluminum body
- Non handed, can be used for right/left-opening doors

| Model | 1628U-M | 1638U-M |
|--------------------|----------------------|-----------------------|
| Use | Internal only | |
| Max door width | 850 mm (33.5") | 950 mm (37.4") |
| Min door thickness | 35 mm (1.4") | |
| Max door weight | 40 kgs. (88 lbs.) | 60 kgs. (132 lbs.) |



(Above drawing shows the KT3D-140 model.)



Unit : mm



Open to new possibility.

KENWA Trading Corporation

380 N Broadway Ste 302
Jericho NY 11753 USA

P: 1-516-933-6016

F: 1-516-933-6018

E: ktc@kenwa.net

W: <http://kenwa-america.com>