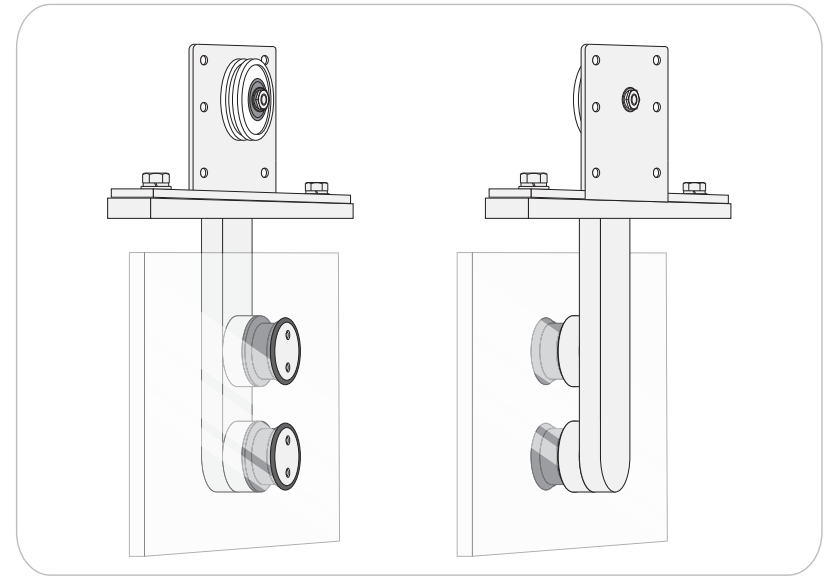
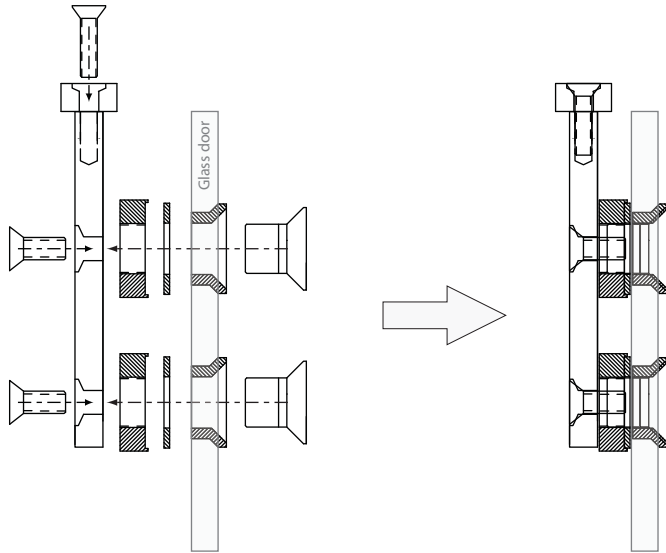
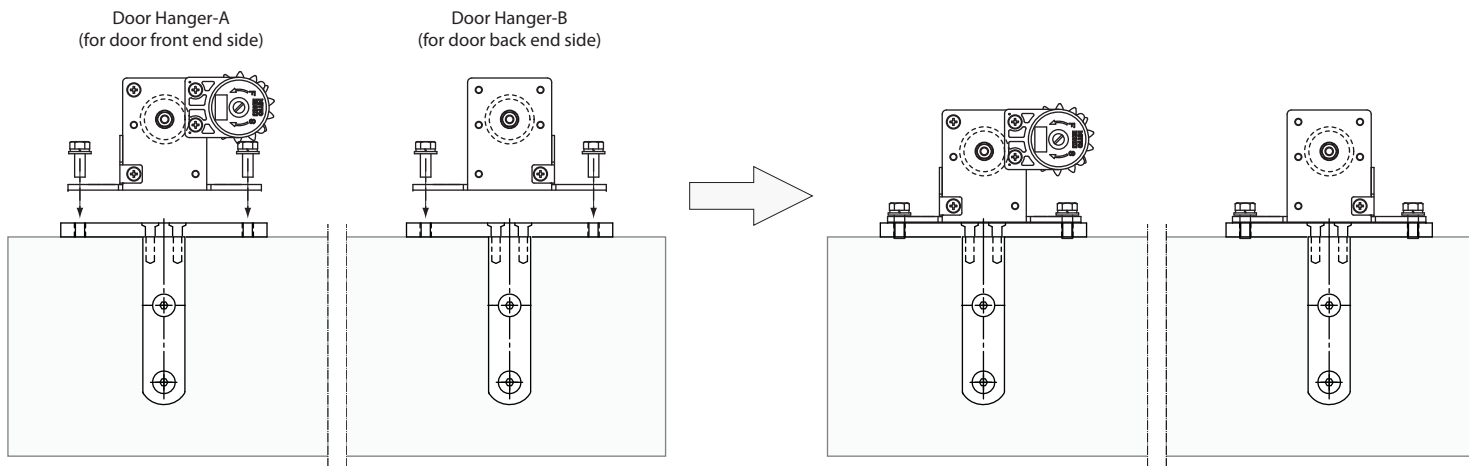


Sliding Glass Door Bracket - Installation Guide

1. Assemble the glass bracket and glass door as per the following sketch.

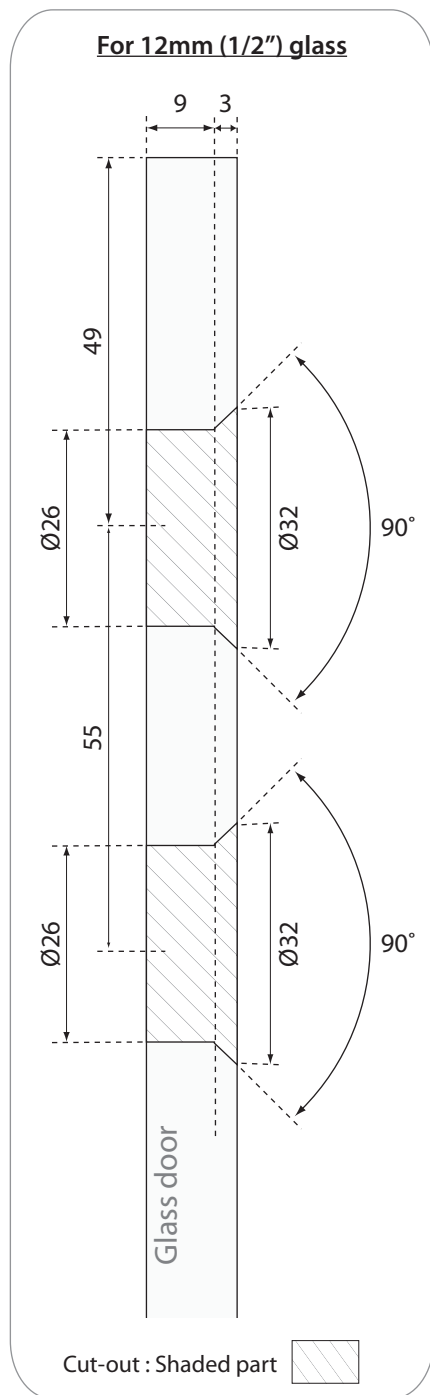
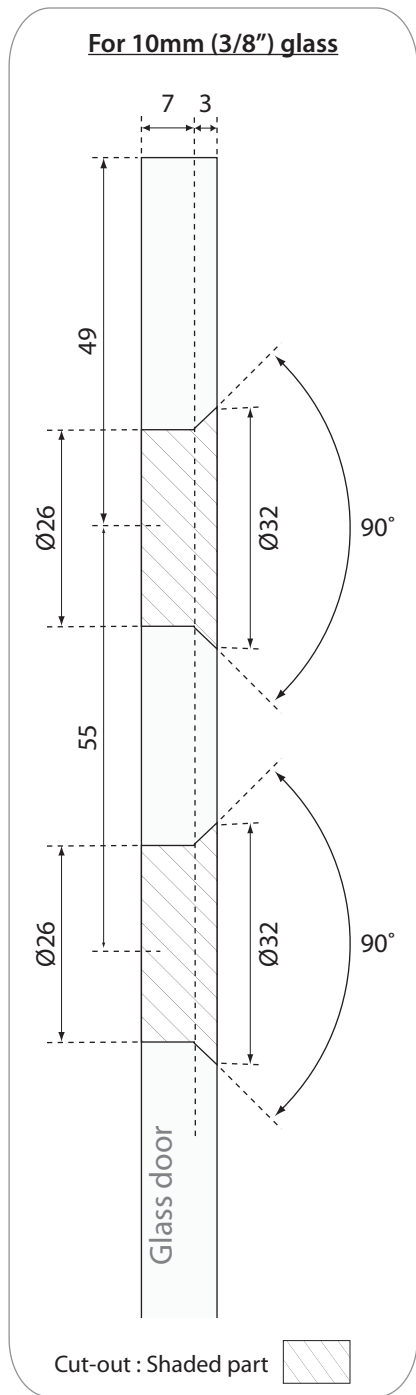


2. Attach the door hangers to the glass bracket.
(Use M8x16 hex bolts supplied with the bracket.)

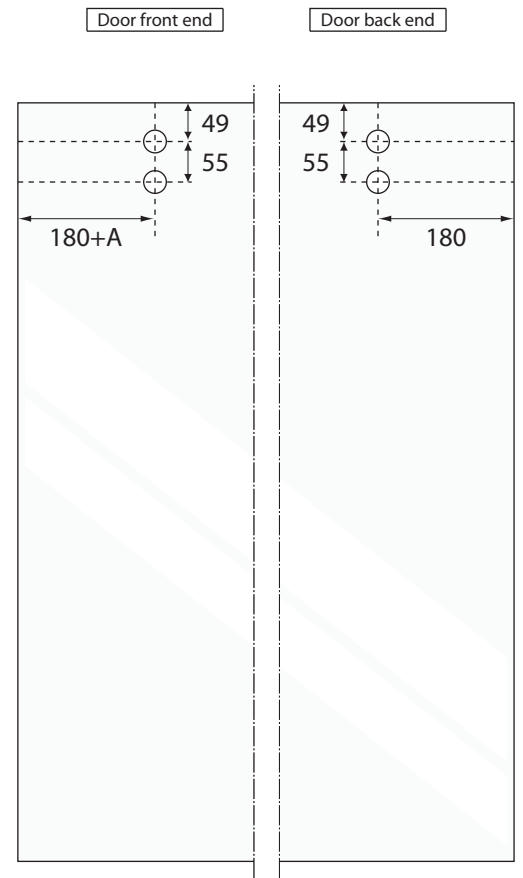


(This document shows the images for NSC-C60V-G model.
The installation method for NSC-C48-G model is same.)

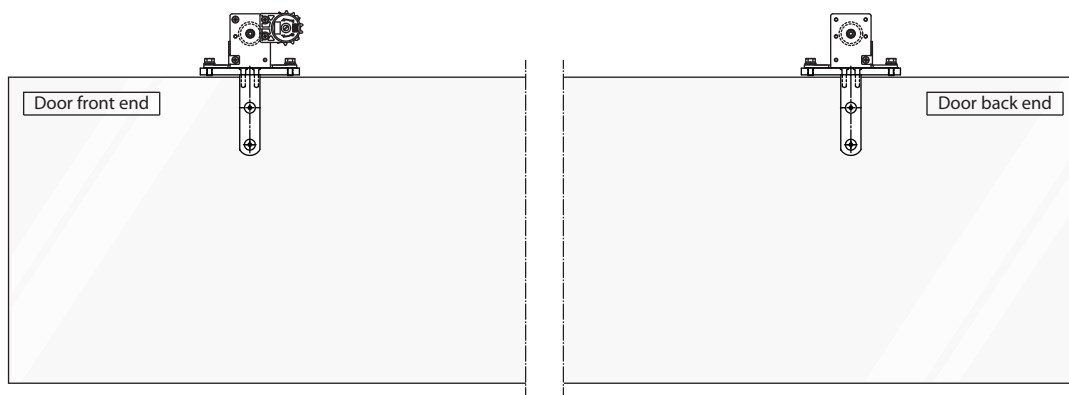
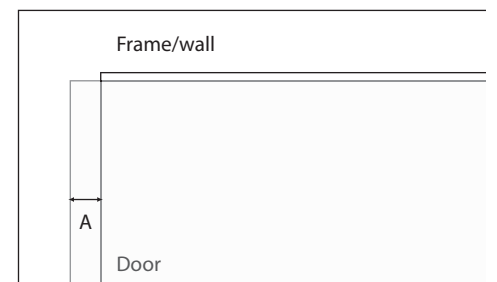
Sliding Glass Door Bracket - Glass Cutout



Unit : mm

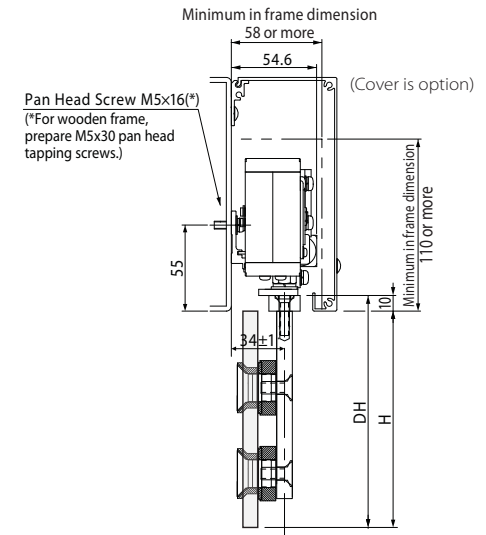
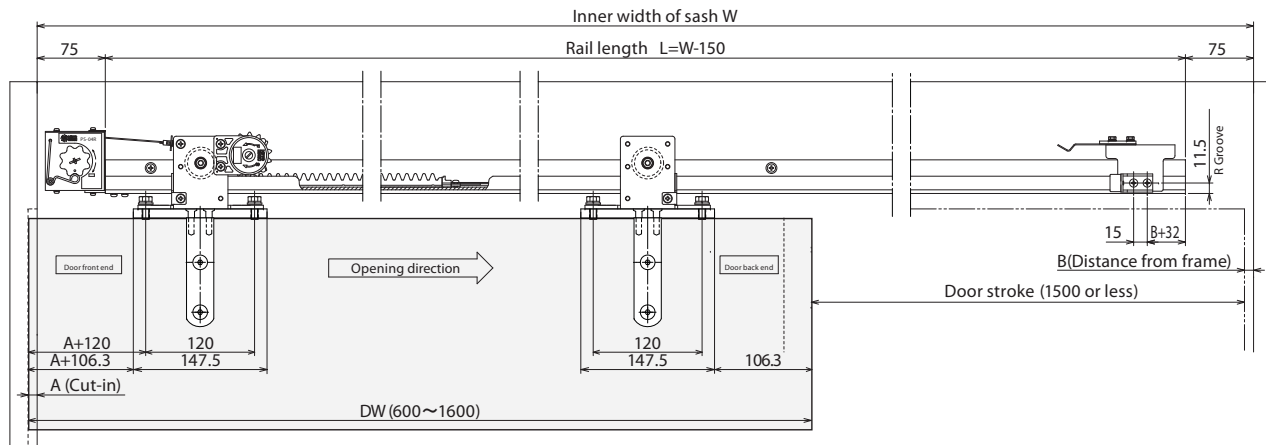


A : Door cut-in length into/over the frame/wall.



Sliding Glass Door Closer - System Diagram

NSC-C60V-G series (up to 60 kgs / 132 lbs doors)



NSC-C48-G series (up to 80 kgs / 176 lbs doors)

