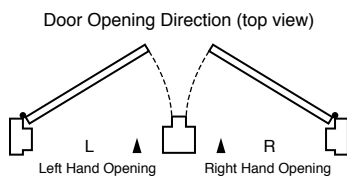
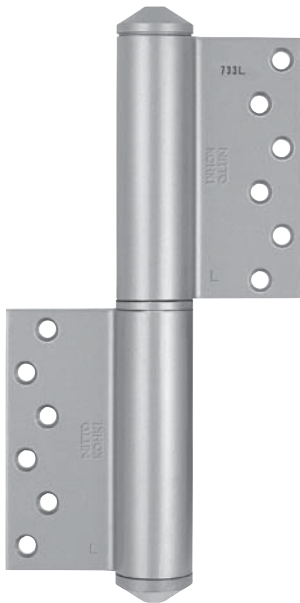


Model Number		Door Size Applicable(mm)			Door Weight (kg)	Closing Force (N-m)	Stop Mechanism	Location of Stop	Max. Opening Angle	Surface Color
Right hand door	Left hand door	W	H	D						
733R	733L	900(Max)	2100(Max)	40(Min)	120(Max)	15.0	—	—	180° Left or Right One-side Opening	Shine gray
733SR	733SL									
Empty Hinge	730R					730L	—	—		

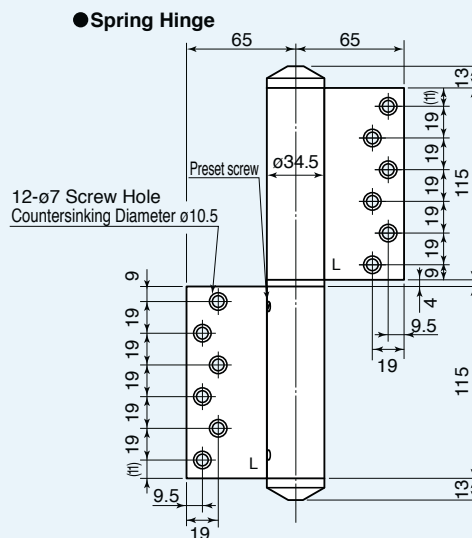


#### Remarks

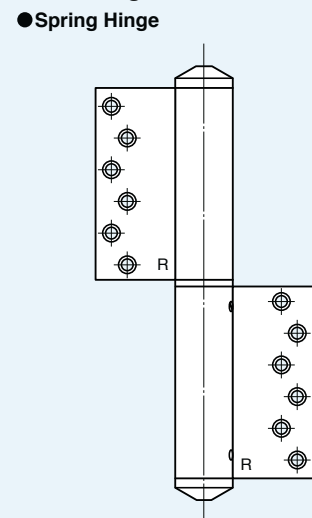
1. Surface treatment: By baked coating of acrylic resin on the stainless steel.
2. For reinforcement purpose, put a steel plate of at least 3.2mm thick and 300mm long at the point of the door/frame that the hinge leaves will be fitted. Fix the steel plate directly on the framework.
3. M5x16 countersunk head screws are included.
4. Allow at least 5mm of space between the outer edge of door and the frame.
5. Always install a door stopper to prevent the door from opening more than 180°.
6. Avoid using them in sauna rooms.

#### EXTERNAL DIMENSIONS

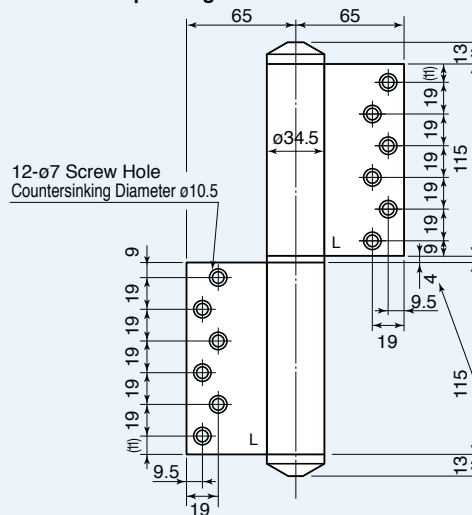
##### Left Hand Door



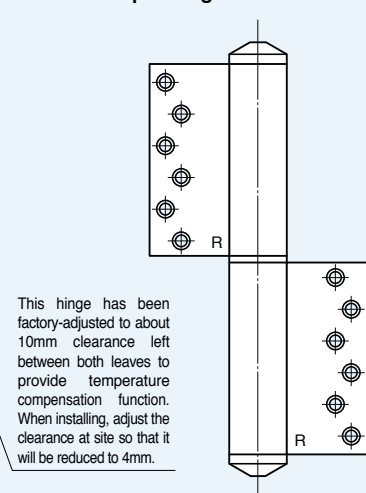
##### Right Hand Door



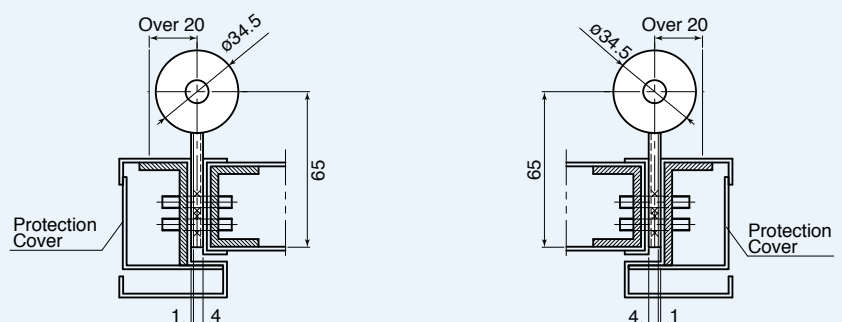
##### ● Damper Hinge



##### ● Damper Hinge

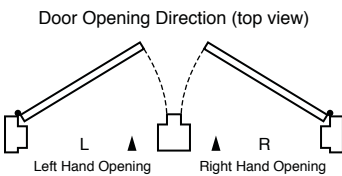


#### FITTING DIAGRAMS



Model Number			Door Size Applicable(mm)			Door Weight (kg)	Closing Force (N·m)	Stop Mechanism	Location of Stop	Max. Opening Angle	Surface Color
Right hand door	Left hand door	W	H	D							
113R-PC	113L-PC	900(Max)	2100(Max)	30(Min)	40(Max)	15.0	—	—	180° Left or Right One-side Opening	Silver *Black *Bronze	
113SR-PC	113SL-PC										85° & 150°
Empty Hinge	110R-PC	110L-PC				—	—	—			

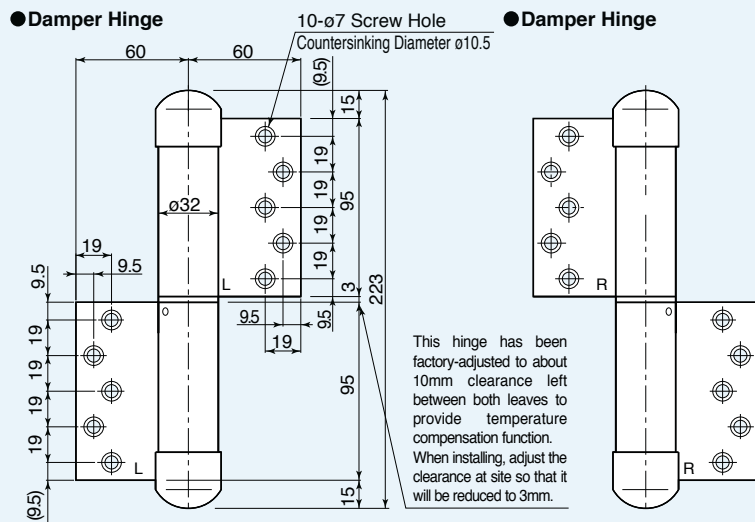
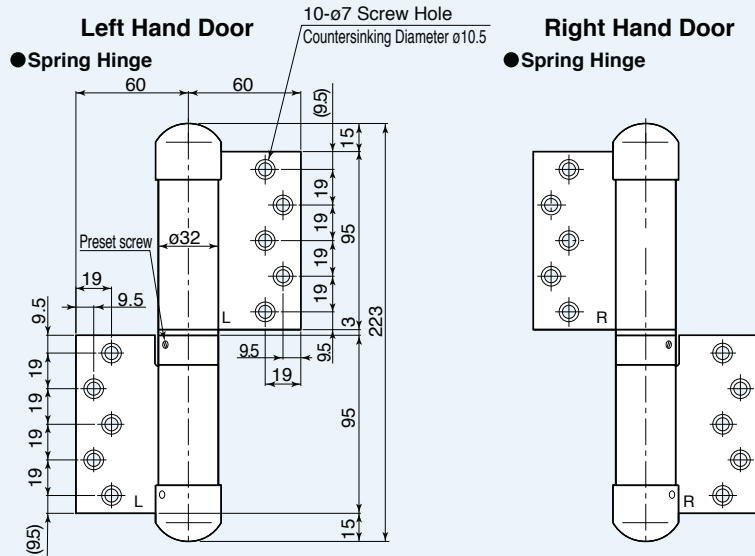
※ Optional Color



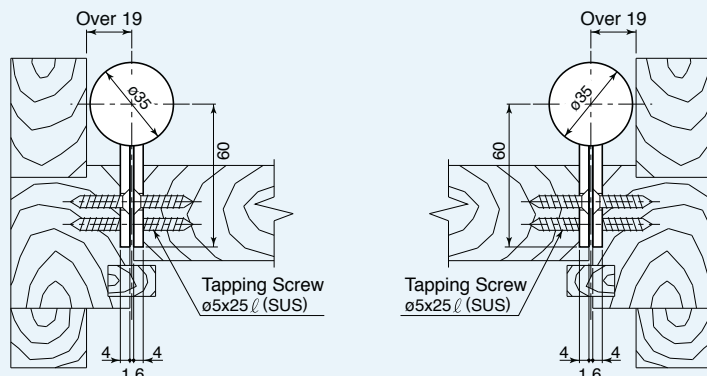
### Remarks

1. Surface treatment: By baked coating of acrylic resin.
2. For reinforcement purpose, put a steel plate or a hard wooden plate (lauan or harder) of at least 2.3mm thick and 300mm long at the point of the door/frame that the hinge leaves will be fitted. Fix the plate directly on the framework.
3. The tapping screws supplied with the products for fitting are 25mm long. In case of using the hinges on the wooden frame, make sure that the frame is thicker than 25mm.
4. Allow at least 5mm of space between the outer edge of door and the frame.
5. Always install a door stopper to prevent the door from opening more than 180°.
6. Avoid using them in sauna rooms.

### EXTERNAL DIMENSIONS



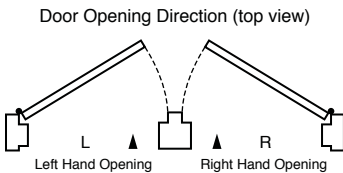
### FITTING DIAGRAMS



# 100PC<sub>series</sub> Model 133-PC

Model Number			Door Size Applicable(mm)			Door Weight (kg)	Closing Force (N·m)	Stop Mechanism	Location of Stop	Max. Opening Angle	Surface Color
Right hand door	Left hand door	W	H	D							
133R-PC	133L-PC	900(Max)	2100(Max)	30(Min)	40(Max)	15.0	—	—	180° Left or Right One-side Opening	Silver *Black *Bronze	
133SR-PC	133SL-PC										
Empty Hinge	130R-PC	130L-PC				—	—	—			

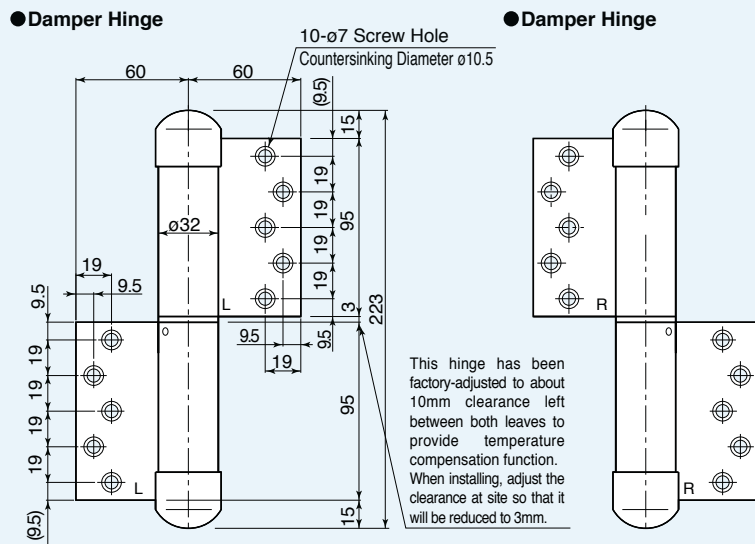
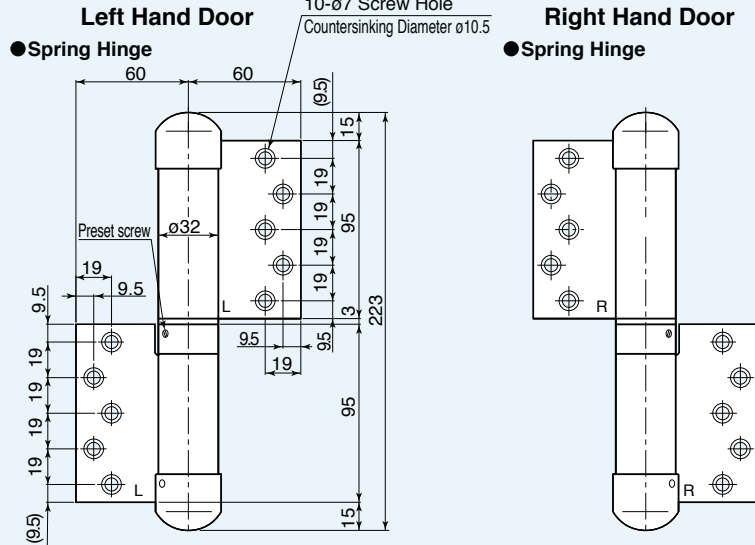
※ Optional Color



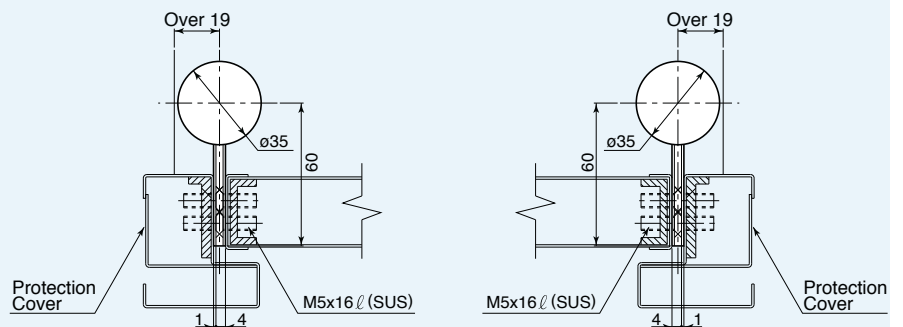
### Remarks

1. Surface treatment: By baked coating of acrylic resin.
2. For reinforcement purpose, put a steel plate or a hard wooden plate (lauan or harder) of at least 2.3mm thick and 300mm long at the point of the door/frame that the hinge leaves will be fitted. Fix the plate directly on the framework.
3. M5x16 countersunk head screws are included.
4. Allow at least 5mm of space between the outer edge of door and the frame.
5. Always install a door stopper to prevent the door from opening more than 180°.
6. Avoid using them in sauna rooms.

### EXTERNAL DIMENSIONS



### FITTING DIAGRAMS



# 100PCseries Model 143T-PC

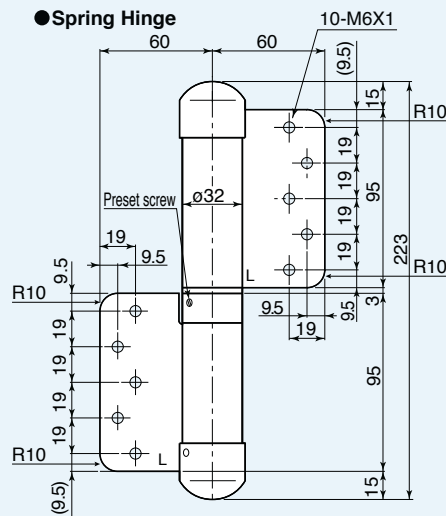
Model Number			Door Size Applicable(mm)			Door Weight (kg)	Closing Force (N·m)	Stop Mechanism	Location of Stop	Max. Opening Angle	Surface Color
Right hand door	Left hand door	W	H	D							
143R-T-PC	143L-T-PC	900(Max)	2100(Max)	30(Min)	60(Max)	15.0	—	—	180° Left or Right One-side Opening	Silver *Black *Bronze	
143SR-T-PC	143SL-T-PC										○
Empty Hinge	140R-T-PC / 140L-T-PC					—	—	—			

※ Optional Color

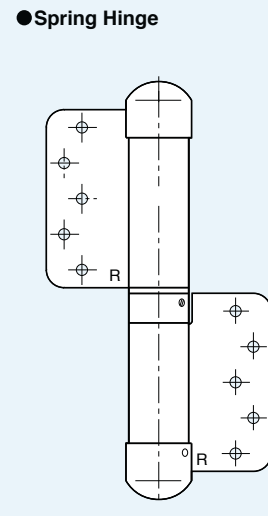


## EXTERNAL DIMENSIONS

### Left Hand Door

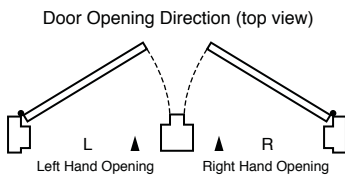
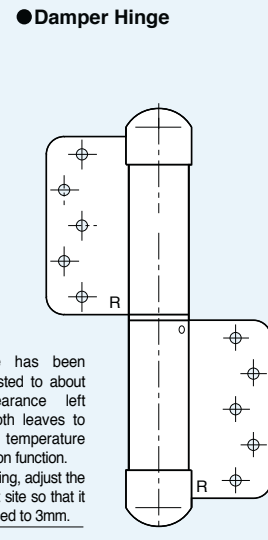
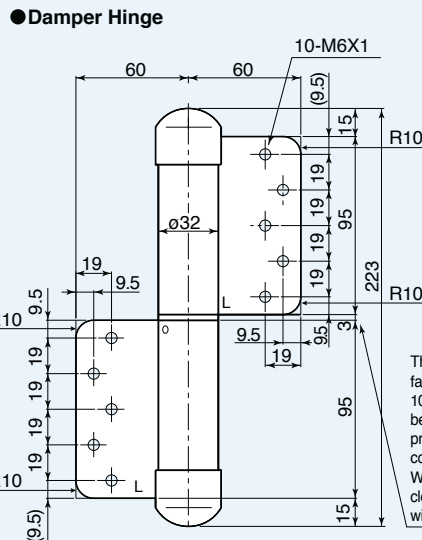


### Right Hand Door



### ● Spring Hinge

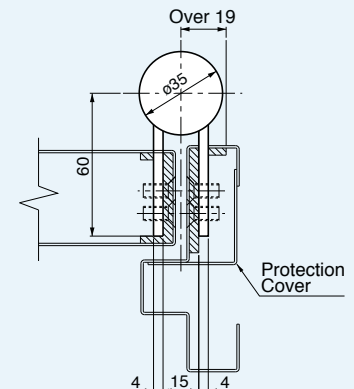
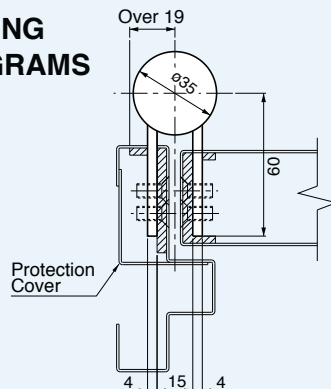
### ● Spring Hinge



## Remarks

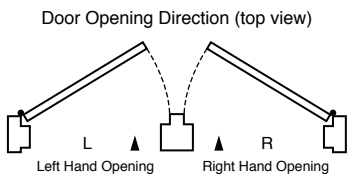
1. Surface treatment: By baked coating of acrylic resin.
2. For reinforcement purpose, put a steel plate of at least 3.2mm thick and 300mm long at the point of the door/frame that the hinge leaves will be fitted.
3. Use the M6 countersunk head screws for fitting. (Do NOT weld.) Screws are not included.
4. Allow at least 5mm of space between the outer edge of door and the frame.
5. Always install a door stopper to prevent the door from opening more than 180°.
6. Avoid using them in sauna rooms.

## FITTING DIAGRAMS



# 200PC series Model 234-PC

Model Number			Door Size Applicable(mm)			Door Weight (kg)	Closing Force (N-m)	Stop Mechanism	Location of Stop	Max. Opening Angle	Surface Color
Right hand door	Left hand door	W	H	D							
234R-PC	234L-PC	1200(Max)	2100(Max)	40(Min)	120(Max)	22.6	—	—	180° Left or Right One-side Opening	Silver	
234SR-PC	234SL-PC										○
Empty Hinge	230R-PC / 230L-PC					—	—	—			



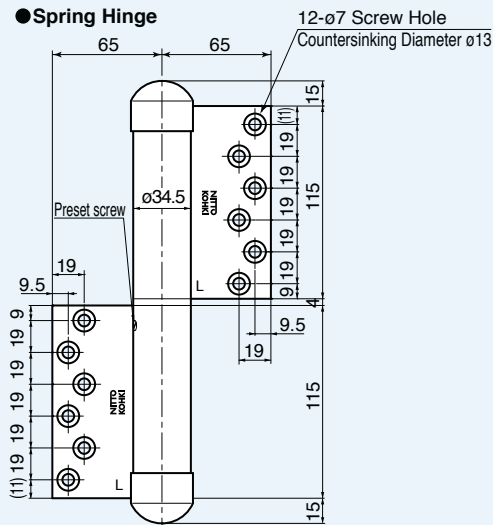
### Remarks

1. Surface treatment: By baked coating of acrylic resin.
2. For reinforcement purpose, put a steel plate of at least 3.2mm thick and 300mm long at the point of the door/frame that the hinge leaves will be fitted. Fix the steel plate directly on the framework.
3. M6x20 countersunk head screws are included.
4. Allow at least 5mm of space between the outer edge of door and the frame.
5. Always install a door stopper to prevent the door from opening more than 180°.
6. Avoid using them in sauna rooms.

### EXTERNAL DIMENSIONS

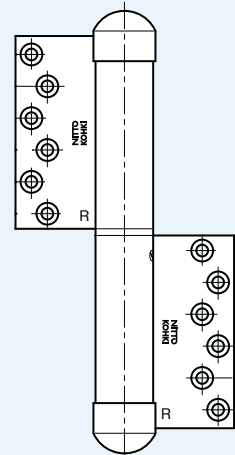
#### Left Hand Door

##### ● Spring Hinge

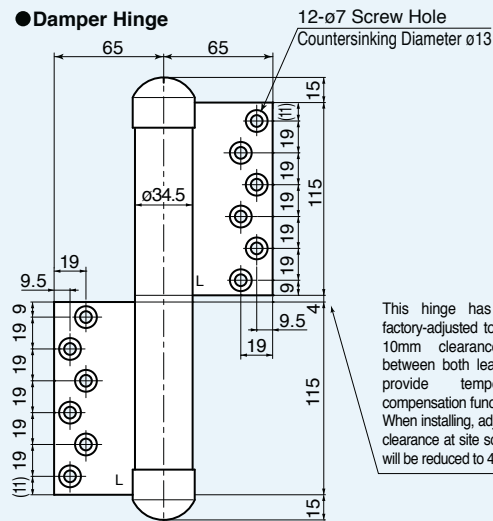


#### Right Hand Door

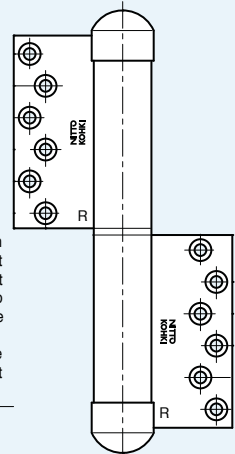
##### ● Spring Hinge



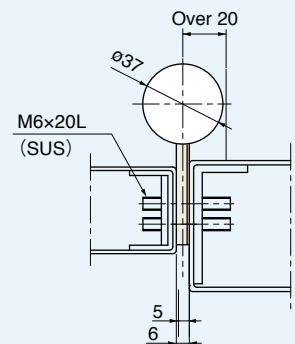
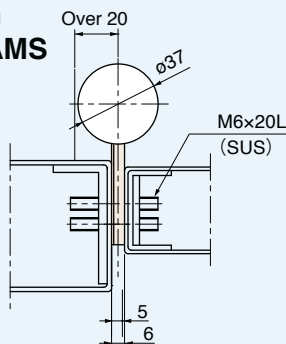
##### ● Damper Hinge



##### ● Damper Hinge

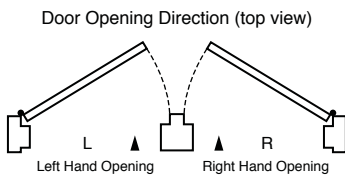


### FITTING DIAGRAMS



# 200PC series Model 244T-PC

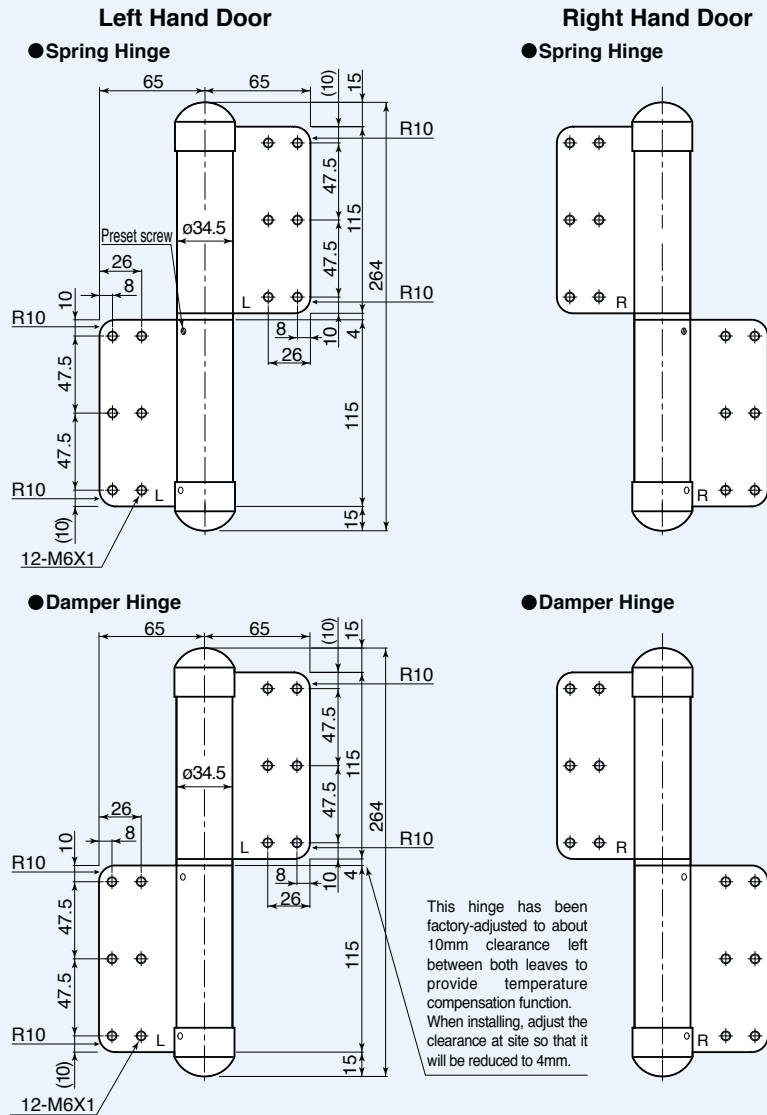
Model Number		Door Size Applicable(mm)			Door Weight (kg)	Closing Force (N·m)	Stop Mechanism	Location of Stop	Max. Opening Angle	Surface Color
Right hand door	Left hand door	W	H	D						
244R-T-PC	244L-T-PC	1200(Max)	2100(Max)	40(Min)	120(Max)	22.6	—	—	180° Left or Right One-side Opening	Silver
244SR-T-PC	244SL-T-PC									
Empty Hinge	240R-T-PC / 240L-T-PC					—	—	—		



**Remarks**

1. Surface treatment: By baked coating of acrylic resin.
2. For reinforcement purpose, put a steel plate of at least 3.2mm thick and 300mm long at the point of the door/frame that the hinge leaves will be fitted.
3. Use the M6 countersunk head screws for fitting. (Do NOT weld.) Screws are not included.
4. Allow at least 5mm of space between the outer edge of door and the frame.
5. Always install a door stopper to prevent the door from opening more than 180°.
6. Avoid using them in sauna rooms.

**EXTERNAL DIMENSIONS**



**FITTING DIAGRAMS**

