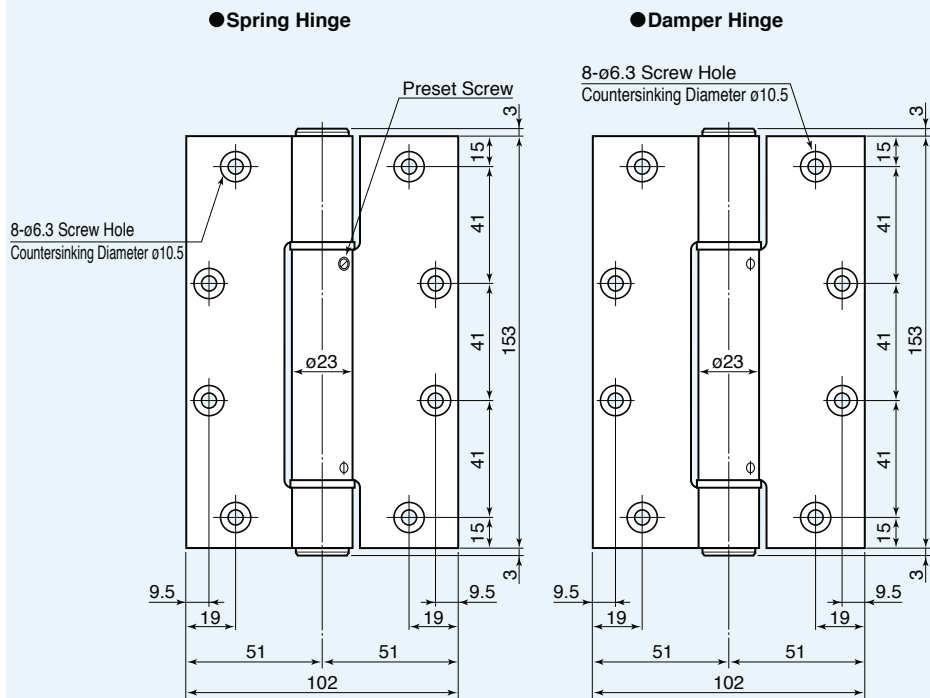


Model Number		Door Size Applicable (mm)			Door Weight (kg)	Closing Force (N·m)	Stop Mechanism	Location of Stop	Max. Opening Angle	Surface Color
		W	H	D						
311S		800(Max)	2000(Max)	30(Min)	30(Max)	5.0	○	85°~180°	180° Left or Right One-side Opening	Silver Bronze ivory gold
Empty Hinge	310					—	—	—		

● Available for both right-opening and left-opening doors.



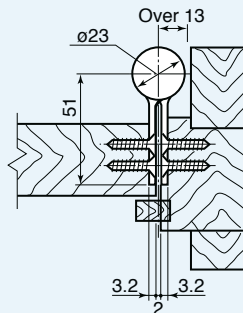
### EXTERNAL DIMENSIONS



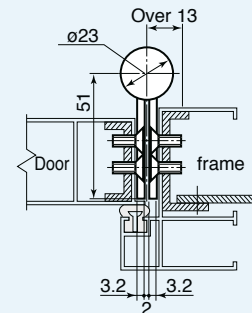
### Remarks

1. Surface treatment: By baked coating of melamine resin.
2. If using on the wooden doors: The door must be made of hard wood such as lauan or harder.
3. The tapping screws supplied with the products for fitting are 25mm long. In case of using the hinges on the wooden frame, make sure that the frame is thicker than 25mm. In case of using on an aluminum or lightweight steel doors, prepare metal screws (M5 countersunk head screws).
4. Allow at least 3mm of space between the outer edge of door and the frame.

### FITTING DIAGRAMS



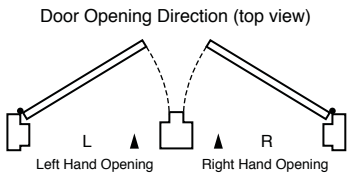
Wooden Doors



Aluminium Doors

# 1000series Model 1100

Model Number		Door Size Applicable(mm)			Door Weight (kg)	Closing Force (N-m)	Stop Mechanism	Location of Stop	Max. Opening Angle	Surface Color
Right hand door	Left hand door	W	H	D						
1111R	1111L	850(Max)	2000(Max)	30(Min)	35(Max)	7.9	—	—	180° Left or Right One-side Opening	Silver
1111SR	1111SL									
1121R	1121L									85°
1121SR	1121SL									
1111FR	1111FL									85°~180° (Free stop)
1121FR	1121FL									
Empty Hinge	1110R	1110L	—	—	—	—	—	—	Silver	
	1120R	1120L							Bronze	

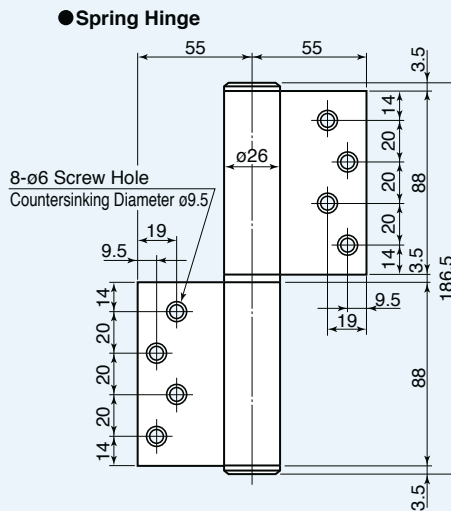


### Remarks

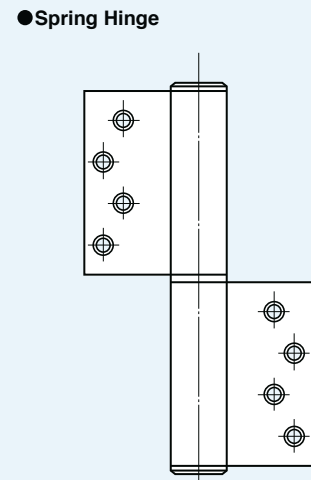
1. The door and frame materials to which the hinge is to be fitted should be of hard wood such as lauan or harder.
2. The tapping screws supplied with the products for fitting are 25mm long. In case of using the hinges on the wooden frame, make sure that the frame is thicker than 25mm.
3. Allow at least 5mm of space between the outer edge of door and the frame.
4. Body material : Aluminum  
Surface treatment :  
Silver(anodic oxide coating)  
Bronze(baked epoxy resin coating)

### EXTERNAL DIMENSIONS

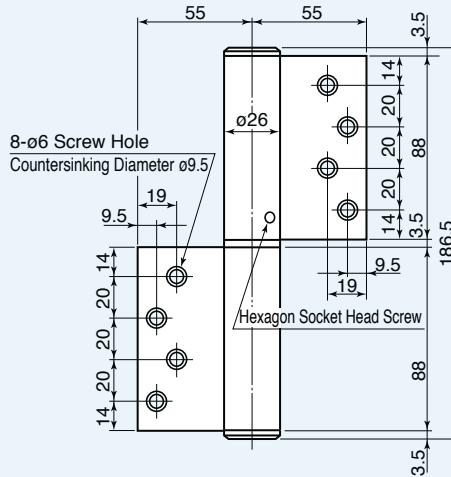
#### Left Hand Door



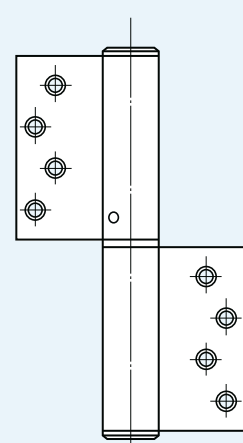
#### Right Hand Door



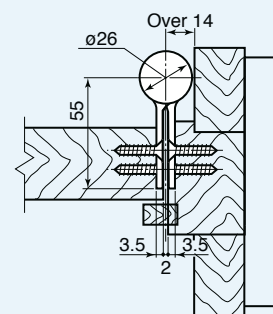
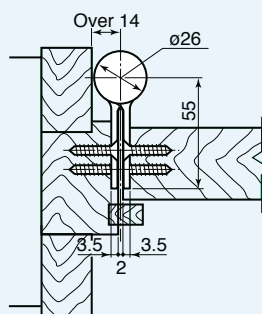
#### ● Damper Hinge



#### ● Damper Hinge



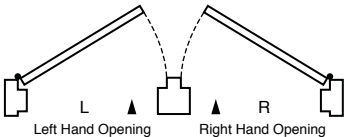
### FITTING DIAGRAMS



Model Number		Door Size Applicable(mm)			Door Weight (kg)	Closing Force (N·m)	Stop Mechanism	Location of Stop	Max. Opening Angle	Surface Color
Right hand door	Left hand door	W	H	D						
1211R	1211L	850(Max)	2000(Max)	30(Min)	35(Max)	7.9	—	—	180° Left or Right One-side Opening	Silver
1211SR	1211SL						○	85°		
1221R	1221L						—	—		
1221SR	1221SL						○	85°		
1211FR	1211FL						○	85°~180° (Free stop)		
1221FR	1221FL						○	85°~180° (Free stop)		
Empty Hinge	1210R	1210L				—	—	—	Silver	
	1220R	1220L							Bronze	



Door Opening Direction (top view)



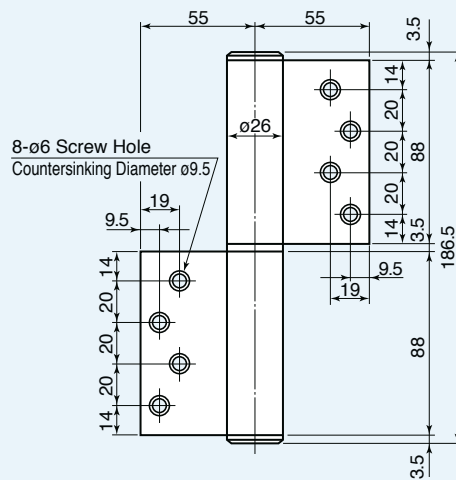
#### Remarks

1. For reinforcement purpose, put a steel plate of at least 2.3mm thick and 300mm long at the point of the door/frame that the hinge leaves will be fitted.
2. Use the screws included in package for installation.
3. Allow at least 5mm of space between the outer edge of door and the frame.
4. Body material : Aluminum  
Surface treatment :  
Silver(anodic oxide coating)  
Bronze(baked epoxy resin coating)

### EXTERNAL DIMENSIONS

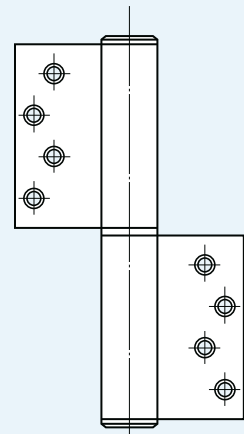
#### Left Hand Door

##### ● Spring Hinge

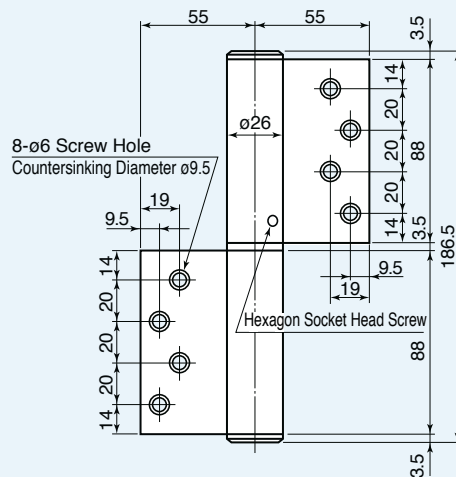


#### Right Hand Door

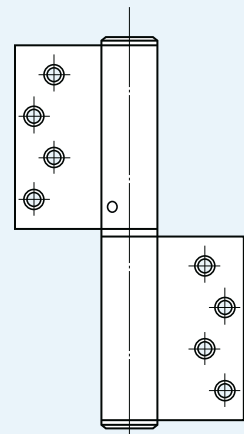
##### ● Spring Hinge



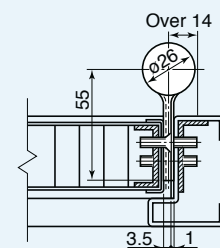
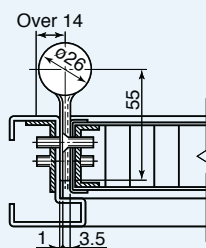
##### ● Damper Hinge



##### ● Damper Hinge



### FITTING DIAGRAMS



# 2000series Model 2200

Model Number		Door Size Applicable(mm)			Door Weight (kg)	Closing Force (N-m)	Stop Mechanism	Location of Stop	Max. Opening Angle	Surface Color	
Right hand door	Left hand door	W	H	D							
2211R	2211L	800(Max)	2000(Max)	30(Min)	35(Max)	—	—	—	180° Left or Right One-side Opening	Silver	
2211WR	2211WL										
Empty Hinge	2210R										2210L
	2210WR										2210WL

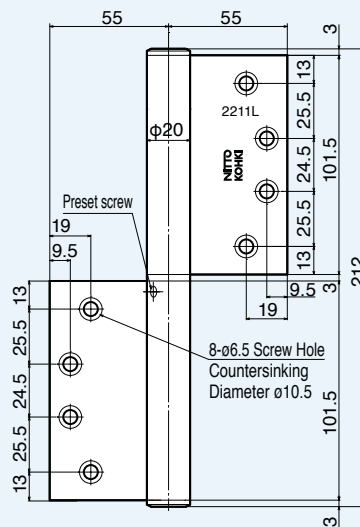
\*The models including "W" in the model number are for the wooden doors, others for the aluminum / lightweight steel doors.



## EXTERNAL DIMENSIONS

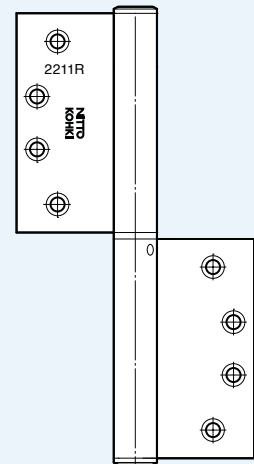
### Left Hand Door

#### ● Spring Hinge

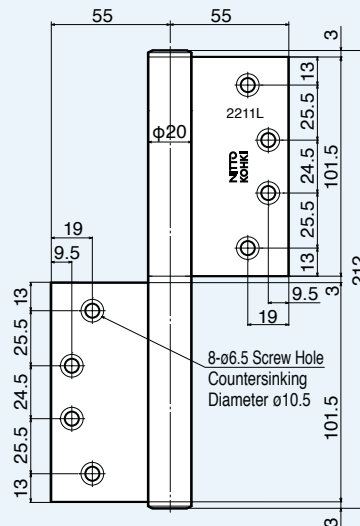


### Right Hand Door

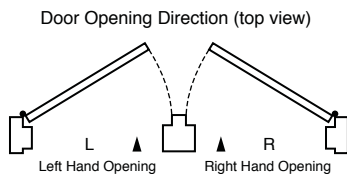
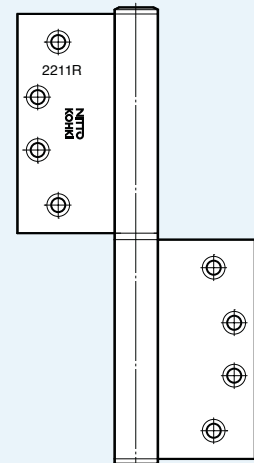
#### ● Spring Hinge



#### ● Damper Hinge



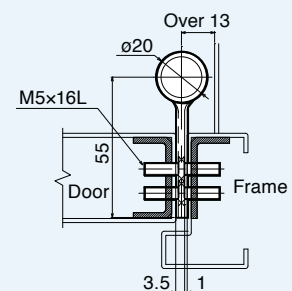
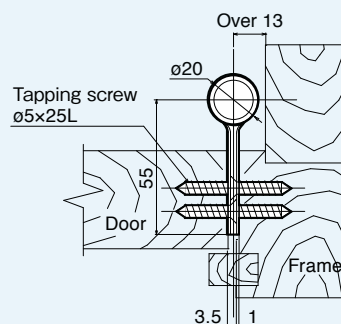
#### ● Damper Hinge



## Remarks

1. For reinforcement purpose, put a steel plate of at least 2.3mm thick and 300mm long at the point of the door/frame that the hinge leaves will be fitted for aluminum/light weight steel door and frame.
2. The wooden door and frame materials to which the hinge is to be fitted should be of hard wood such as lauan or harder. And the tapping screws supplied with the products for fitting are 25mm long. In case of using the hinges on the wooden frame, make sure that the frame is thicker than 25mm.
3. Allow at least 5mm of space between the outer edge of door and the frame.
4. Body material : Aluminum  
Surface treatment :  
Silver(anodic oxide coating)

## FITTING DIAGRAMS



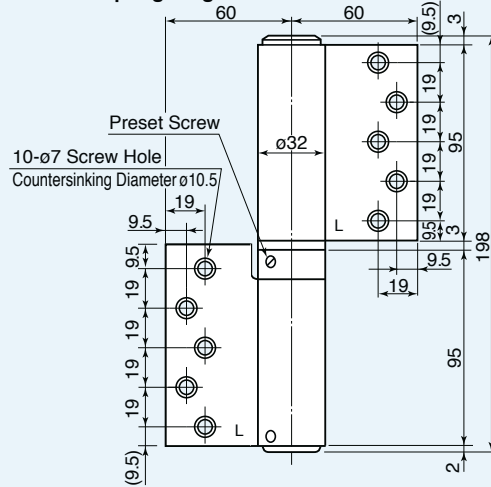
Model Number		Door Size Applicable(mm)			Door Weight (kg)	Closing Force (N-m)	Stop Mechanism	Location of Stop	Max. Opening Angle	Surface Color			
Right hand door	Left hand door	W	H	D									
112R	112L	900(Max)	2100(Max)	30(Min)	40(Max)	10.0	—	—	180° Left or Right One-side Opening	Silver & Bronze			
112SR	112SL										<td>○</td> <td>85° &amp; 150°</td>	○	85° & 150°
Empty Hinge	110R										110L	—	—



### EXTERNAL DIMENSIONS

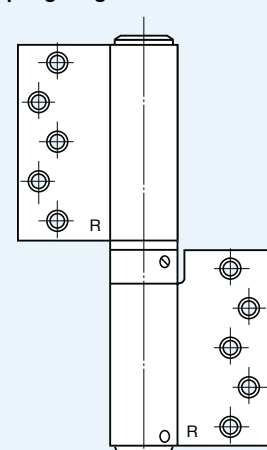
#### Left Hand Door

##### ● Spring Hinge

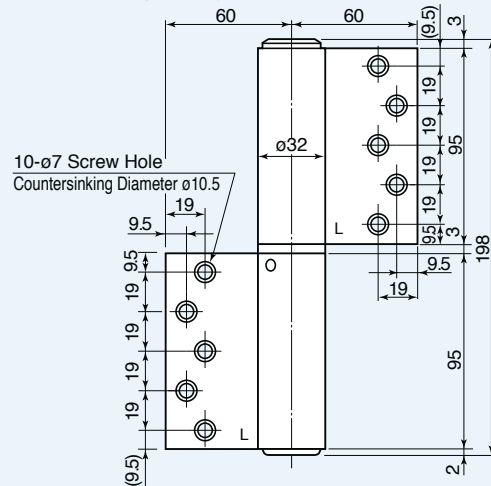


#### Right Hand Door

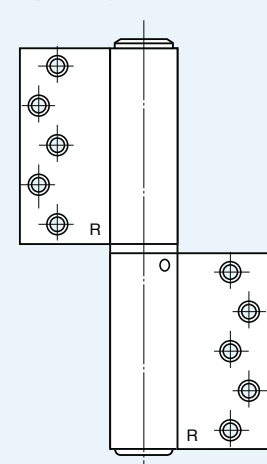
##### ● Spring Hinge



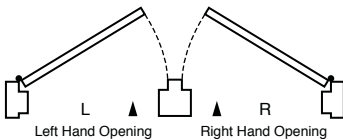
##### ● Damper Hinge



##### ● Damper Hinge



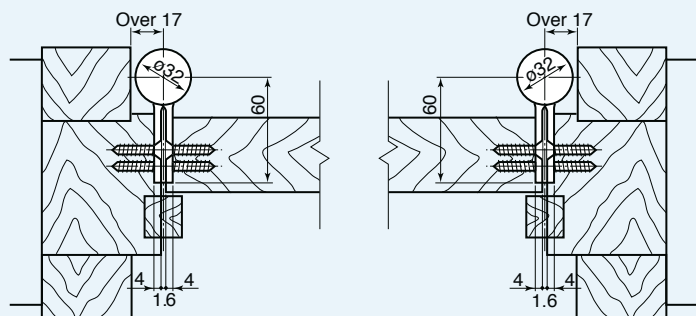
Door Opening Direction (top view)



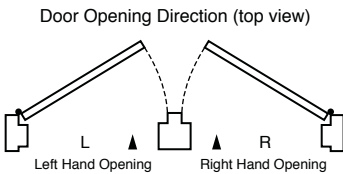
### Remarks

1. The door and frame materials to which the hinge is to be fitted should be of hard wood such as lauan or harder.
2. The tapping screws supplied with the products for fitting are 25mm long. In case of using the hinges on the wooden frame, make sure that the frame is thicker than 25mm.
3. Allow at least 5mm of space between the outer edge of door and the frame.
4. The rounded corner models are available too.
5. Surface treatment: By baked coating of melamine resin.
6. Always install a door stopper to prevent the door from opening more than 180°.

### FITTING DIAGRAMS



Model Number		Door Size Applicable(mm)			Door Weight (kg)	Closing Force (N-m)	Stop Mechanism	Location of Stop	Max. Opening Angle	Surface Color
Right hand door	Left hand door	W	H	D						
122R-T	122L-T	900(Max)	2100(Max)	30(Min)	40(Max)	10.0	—	—	180° Left or Right One-side Opening	Silver
122SR-T	122SL-T									
Empty Hinge	120R-T / 120L-T					—	—	—		

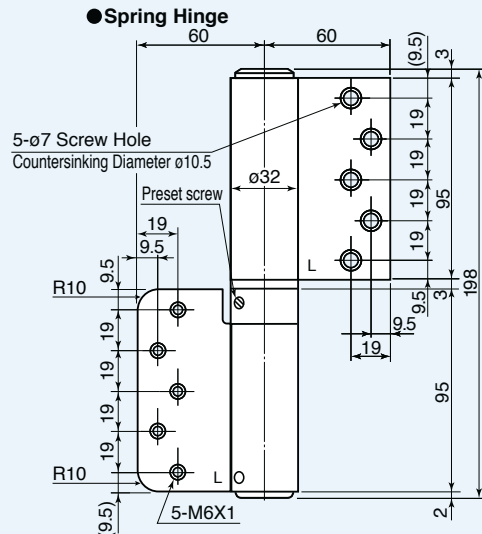


#### Remarks

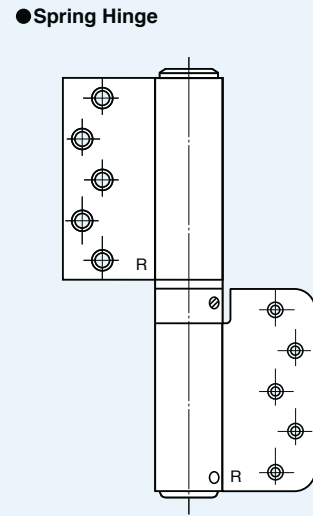
- For reinforcement purpose, put a steel plate of at least 2.3mm thick and 300mm long at the point of the frame that the hinge leaves will be fitted.
- Use the M6 countersunk head screws for fitting. (Do NOT weld.) Screws are not included.
- If using on the wooden doors: The door must be made of hard wood such as lauan or harder.
- Allow at least 5mm of space between the outer edge of door and the frame.
- Surface treatment: By baked coating of melamine resin.
- Always install a door stopper to prevent the door from opening more than 180°.

#### EXTERNAL DIMENSIONS

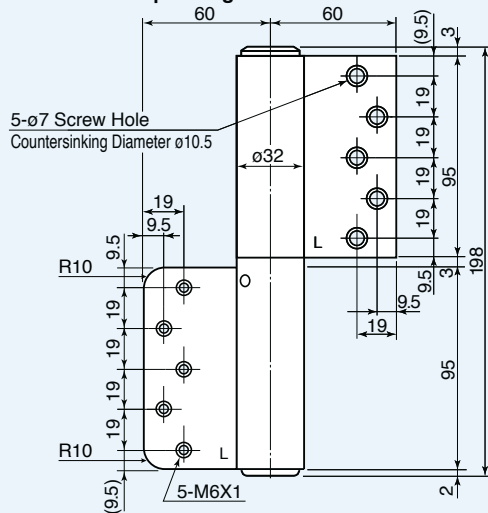
##### Left Hand Door



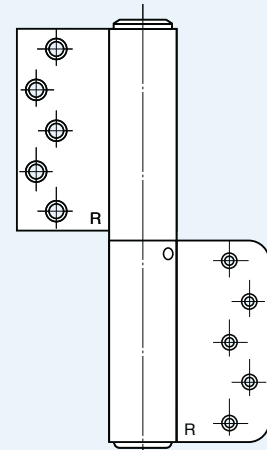
##### Right Hand Door



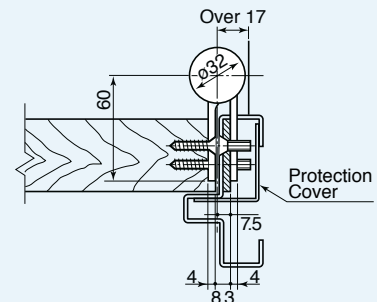
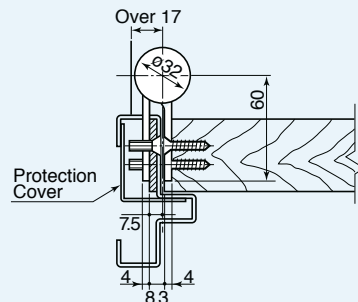
##### ● Damper Hinge



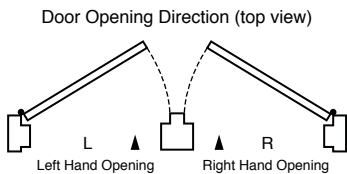
##### ● Damper Hinge



#### FITTING DIAGRAMS



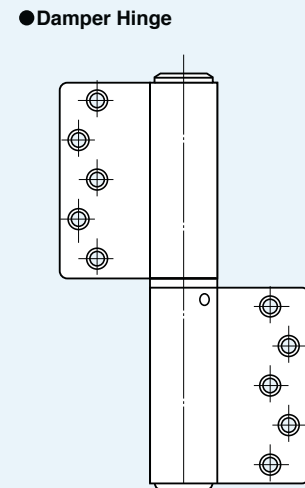
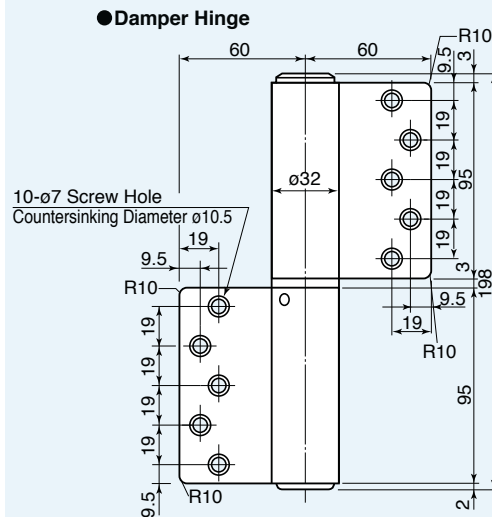
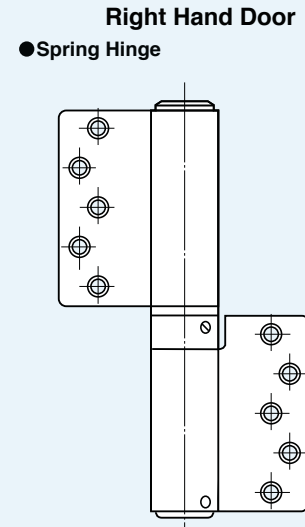
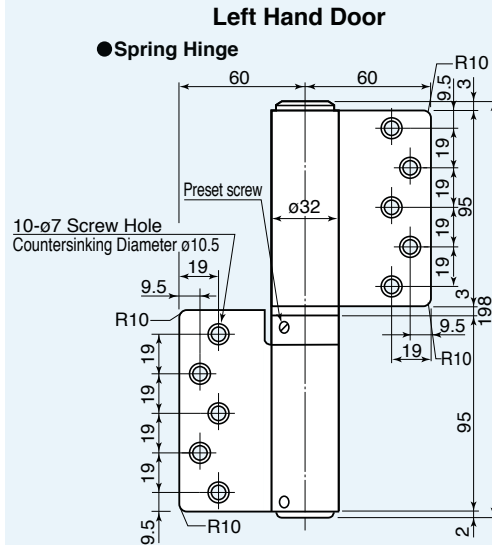
Model Number			Door Size Applicable(mm)			Door Weight (kg)	Closing Force (N-m)	Stop Mechanism	Location of Stop	Max. Opening Angle	Surface Color
Right hand door	Left hand door	W	H	D							
113R	113L	900(Max)	2100(Max)	30(Min)	60(Max)	15.0	—	—	180° Left or Right One-side Opening	Silver	
113SR	113SL										
Empty Hinge	110R										110L



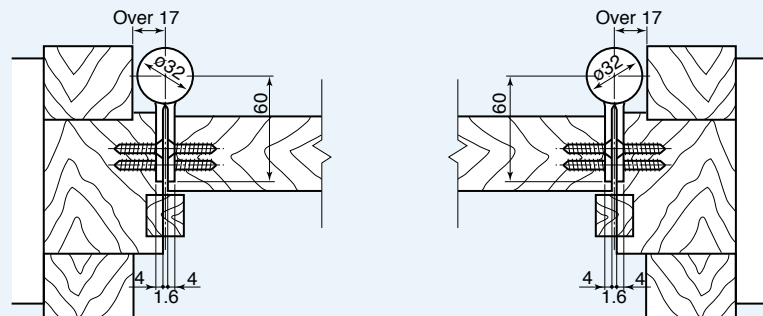
#### Remarks

1. The door and frame materials to which the hinge is to be fitted should be of hard wood such as lauan or harder.
2. The tapping screws supplied with the products for fitting are 25mm long. In case of using the hinges on the wooden frame, make sure that the frame is thicker than 25mm.
3. Allow at least 5mm of space between the outer edge of door and the frame.
4. The edge corner models are available too.
5. Surface treatment: By baked coating of melamine resin.
6. Always install a door stopper to prevent the door from opening more than 180°.

#### EXTERNAL DIMENSIONS



#### FITTING DIAGRAMS



# 100series

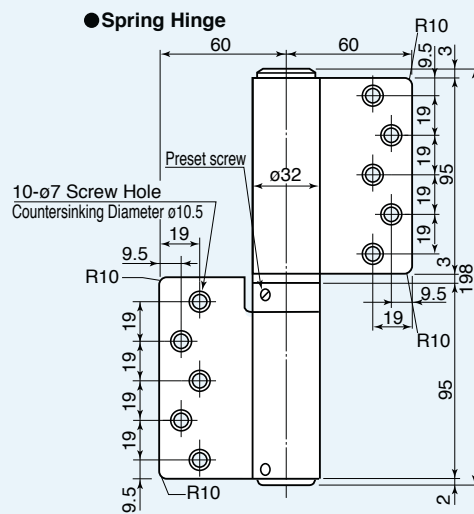
## Model 113 TRISET

Model Number		Door Size Applicable(mm)			Door Weight (kg)	Closing Force (N-m)	Stop Mechanism	Location of Stop	Max. Opening Angle	Surface Color
Right hand door	Left hand door	W	H	D						
113R TRISET	113L TRISET	1000(Max)	2200(Max)	30(Min)	80(Max)	20.0	—	—	180° Left or Right One-side Opening	Silver
113SR TRISET	113SL TRISET									
—		—			—		—		—	

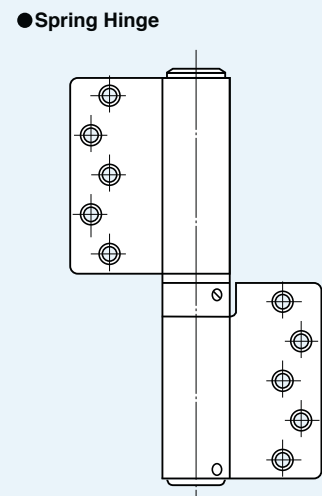


### EXTERNAL DIMENSIONS

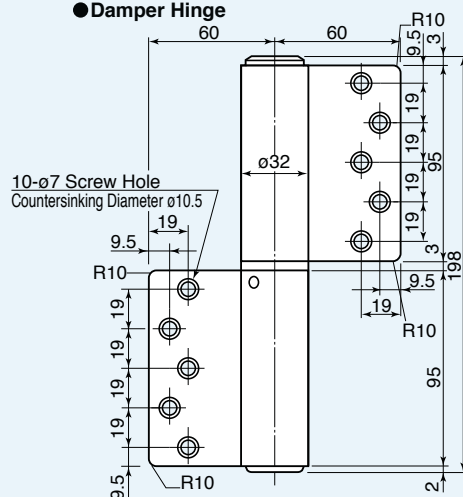
#### Left Hand Door



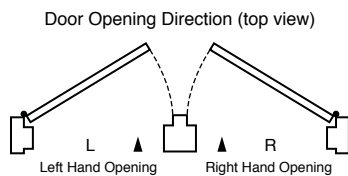
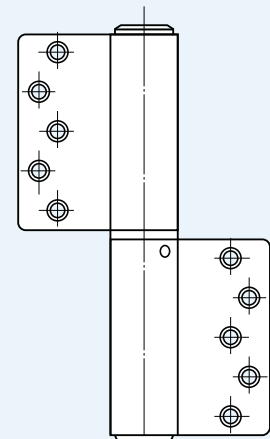
#### Right Hand Door



#### ● Damper Hinge



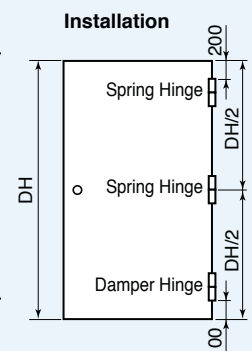
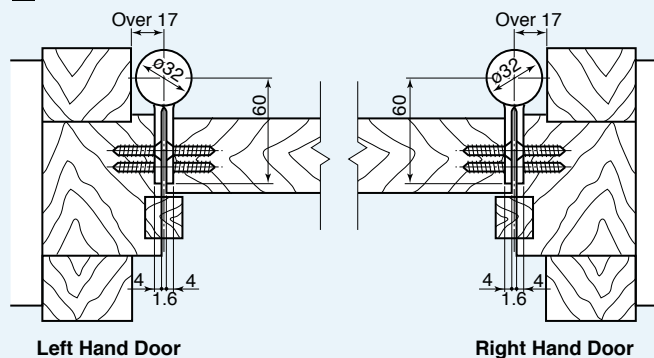
#### ● Damper Hinge



### Remarks

1. The door and frame materials to which the hinge is to be fitted should be of hard wood such as lauan or harder.
2. The tapping screws supplied with the products for fitting are 30mm long. In case of using the hinges on the wooden frame, make sure that the frame is thicker than 30mm.
3. Allow at least 5mm of space between the outer edge of door and the frame.
4. The edge corner models are available too.
5. Surface treatment: By baked coating of melamine resin.
6. Always install a door stopper to prevent the door from opening more than 180°.

### FITTING DIAGRAMS

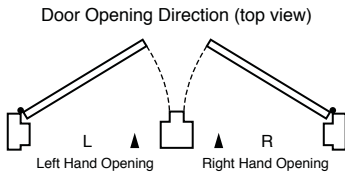
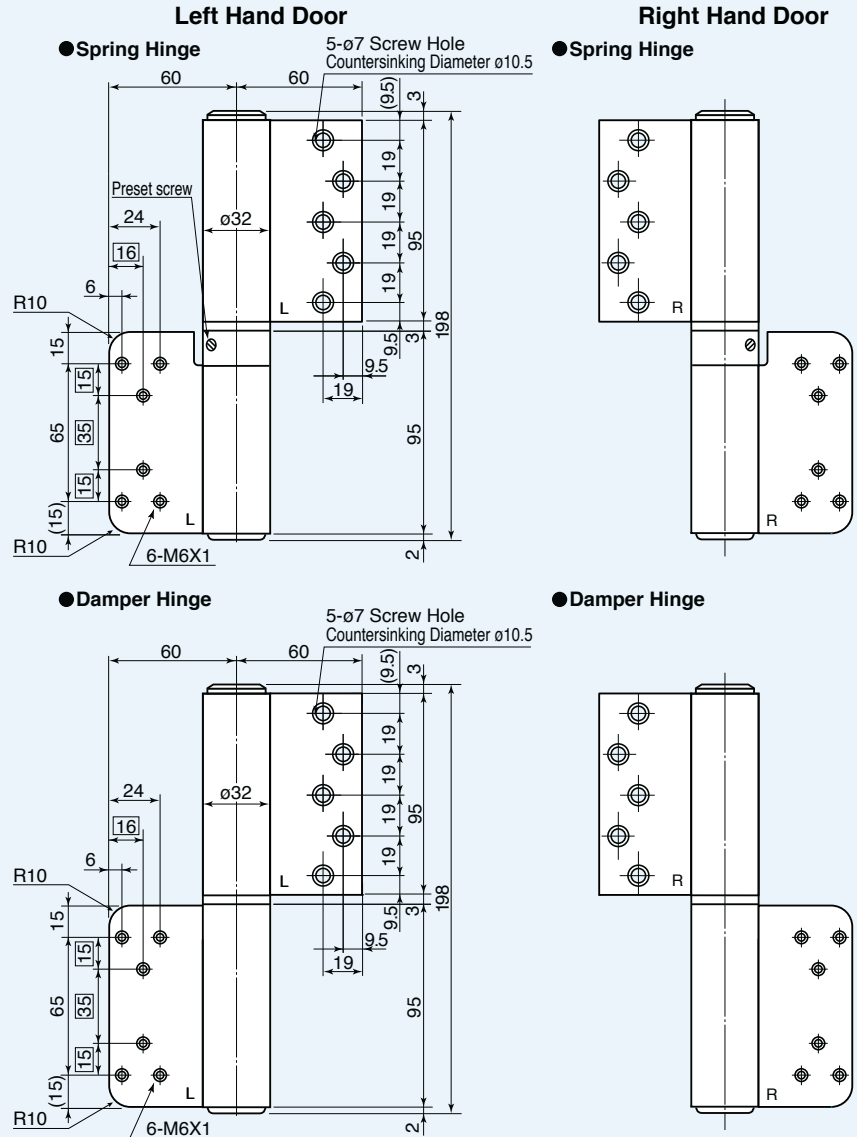




Model Number			Door Size Applicable(mm)			Door Weight (kg)	Closing Force (N-m)	Stop Mechanism	Location of Stop	Max. Opening Angle	Surface Color	
Right hand door	Left hand door	W	H	D								
122R-AT	122L-AT	900(Max)	2100(Max)	30(Min)	40(Max)	10.0	—	—	180° Left or Right One-side Opening	Silver		
122SR-AT	122SL-AT										—	85° & 150°
Empty Hinge	120R-AT / 120L-AT										—	—



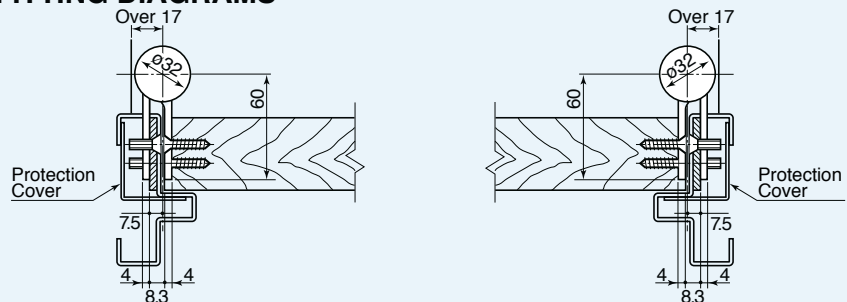
### EXTERNAL DIMENSIONS



### Remarks

- For reinforcement purpose, put a steel plate of at least 2.3mm thick and 300mm long at the point of the frame that the hinge leaves will be fitted.
- Use the M6 countersunk head screws for fitting. (Screws are not included). Refer to the dimensions in the square (□) when cutting the leaf. (Do NOT weld.)
- If using on the wooden doors: The door must be made of hard wood such as lauan or harder.
- Allow at least 5mm of space between the outer edge of door and the frame.
- Surface treatment: By baked coating of melamine resin.
- Always install a door stopper to prevent the door from opening more than 180°.

### FITTING DIAGRAMS



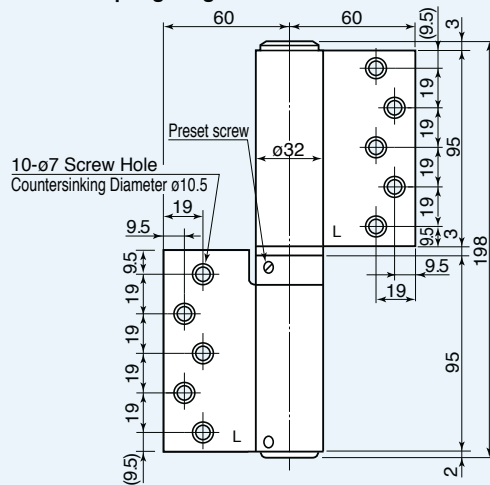
Model Number		Door Size Applicable(mm)			Door Weight (kg)	Closing Force (N-m)	Stop Mechanism	Location of Stop	Max. Opening Angle	Surface Color		
Right hand door	Left hand door	W	H	D								
132R	132L	900(Max)	2100(Max)	30(Min)	40(Max)	10.0	—	—	180° Left or Right One-side Opening	Silver		
132SR	132SL										○	85° & 150°
Empty Hinge	130R										130L	—



### EXTERNAL DIMENSIONS

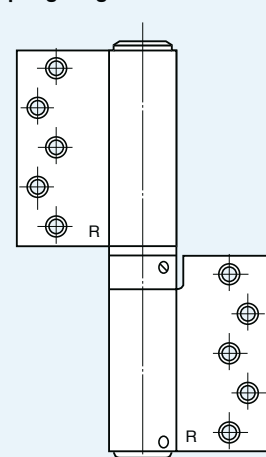
#### Left Hand Door

##### ● Spring Hinge

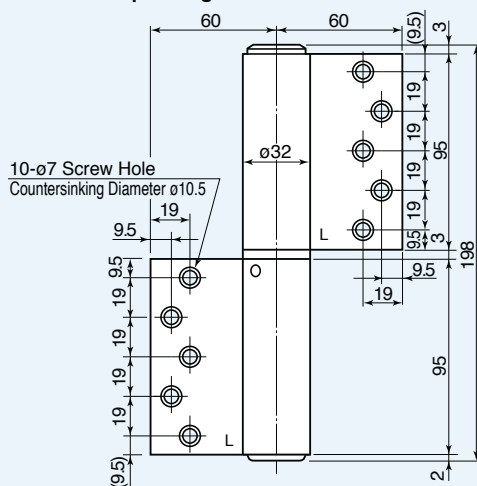


#### Right Hand Door

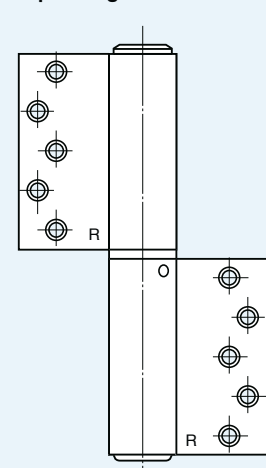
##### ● Spring Hinge



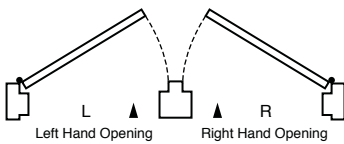
##### ● Damper Hinge



##### ● Damper Hinge



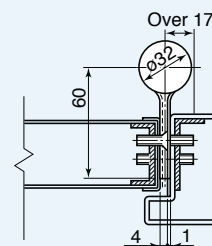
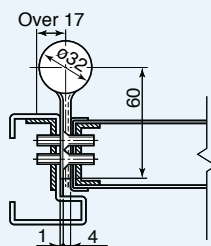
Door Opening Direction (top view)



### Remarks

1. For reinforcement purpose, put a steel plate of at least 2.3mm thick and 300mm long at the point of the door/frame that the hinge leaves will be fitted.
2. Use the screws included in package for installation.
3. Allow at least 5mm of space between the outer edge of door and the frame.
4. Surface treatment: By baked coating of melamine resin.
5. Always install a door stopper to prevent the door from opening more than 180°.

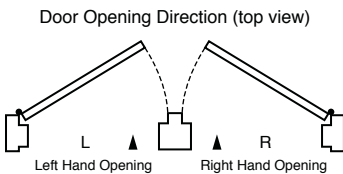
### FITTING DIAGRAMS



# 100series

## Model 143T

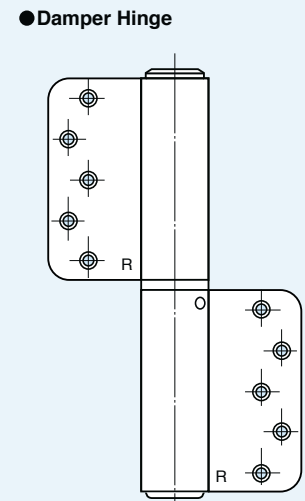
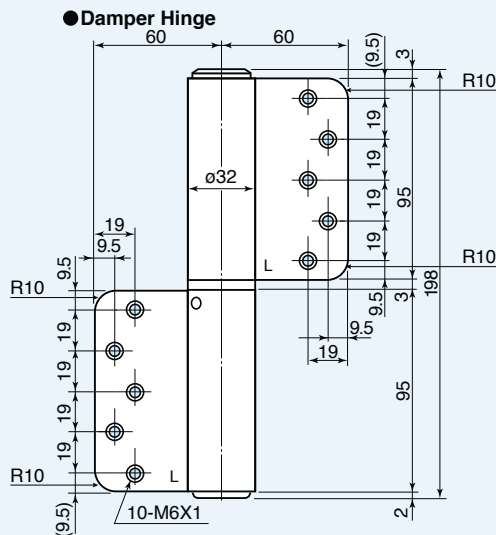
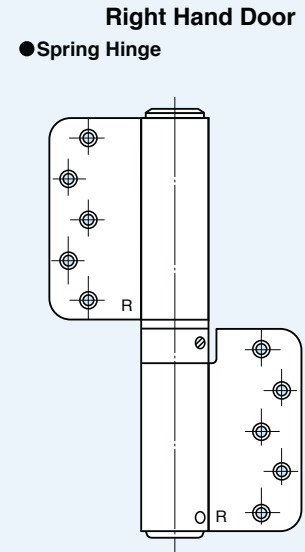
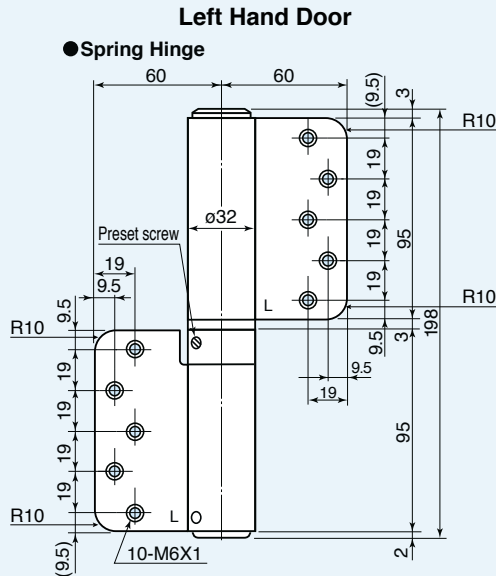
Model Number			Door Size Applicable(mm)			Door Weight (kg)	Closing Force (N-m)	Stop Mechanism	Location of Stop	Max. Opening Angle	Surface Color
Right hand door	Left hand door	W	H	D							
143R-T	143L-T	900(Max)	2100(Max)	30(Min)	60(Max)	15.0	—	—	180° Left or Right One-side Opening	Silver	
143SR-T	143SL-T										○
Empty Hinge	140R-T / 140L-T					—	—	—			



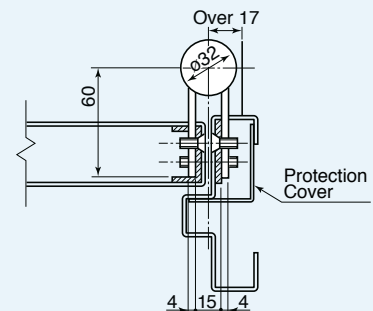
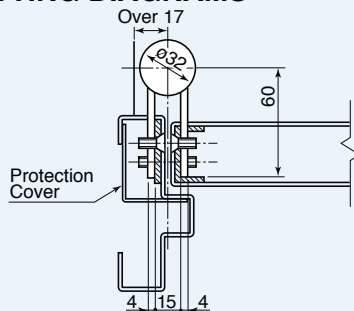
### Remarks

1. For reinforcement purpose, put a steel plate of at least 2.3mm thick and 300mm long at the point of the door/frame that the hinge leaves will be fitted.
2. Use the M6 countersunk head screws for fitting. (Do NOT weld.) Screws are not included.
3. In case of applying to the fire protection door, use the model 143R-T or 143L-T without the stop function.
4. Allow at least 5mm of space between the outer edge of door and the frame.
5. Surface treatment: By baked coating of melamine resin.
6. Always install a door stopper to prevent the door from opening more than 180°.

### EXTERNAL DIMENSIONS

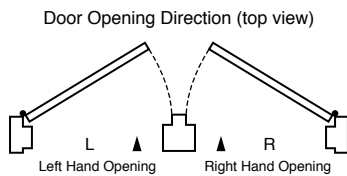


### FITTING DIAGRAMS



# 100series Model 143AT

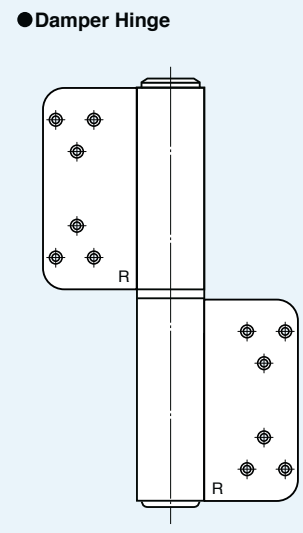
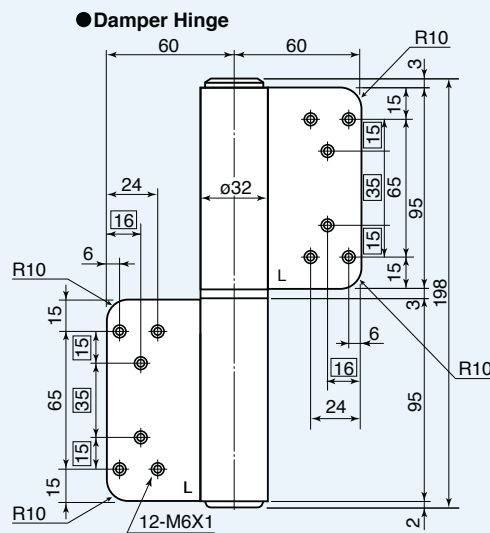
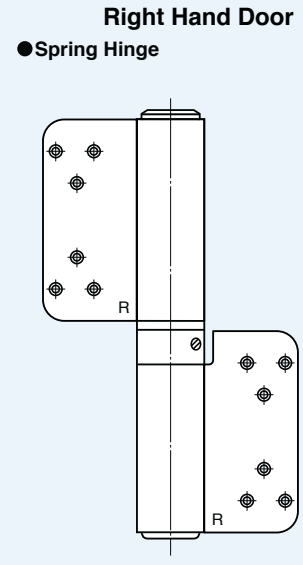
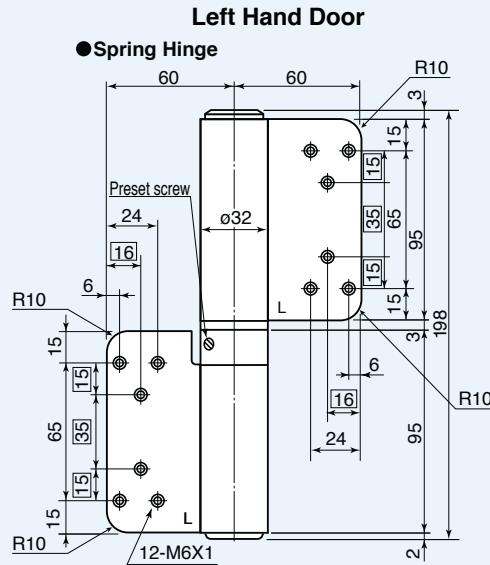
Model Number		Door Size Applicable(mm)			Door Weight (kg)	Closing Force (N-m)	Stop Mechanism	Location of Stop	Max. Opening Angle	Surface Color
Right hand door	Left hand door	W	H	D						
143R-AT	143L-AT	900(Max)	2100(Max)	30(Min)	60(Max)	15.0	—	—	180° Left or Right One-side Opening	Silver
143SR-AT	143SL-AT									
Empty Hinge	140R-AT / 140L-AT					—	—	—		



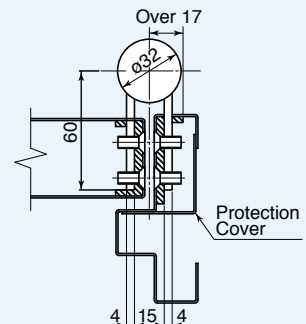
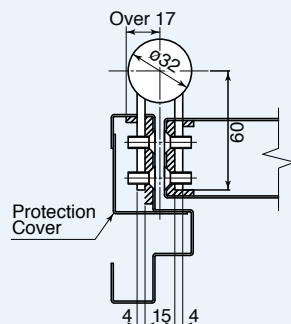
**Remarks**

1. For reinforcement purpose, put a steel plate of at least 2.3mm thick and 300mm long at the point of the frame that the hinge leaves will be fitted.
2. Use the M6 countersunk head screws for fitting. (Screws are not included.) Refer to the dimensions in the square (□) when cutting the leaf. (Do NOT weld.)
3. In case of applying to the fire protection door, use the model 143R-AT or 143L-AT without the stop function.
4. Allow at least 5mm of space between the outer edge of door and the frame.
5. Surface treatment: By baked coating of melamine resin.
6. Always install a door stopper to prevent the door from opening more than 180°.

**EXTERNAL DIMENSIONS**



**FITTING DIAGRAMS**



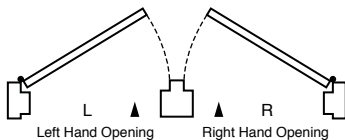
# 200series

## Model 234

Model Number			Door Size Applicable(mm)			Door Weight (kg)	Closing Force (N·m)	Stop Mechanism	Location of Stop	Max. Opening Angle	Surface Color
Right hand door	Left hand door	W	H	D							
234R	234L	1200(Max)	2100(Max)	40(Min)	120(Max)	22.6	—	—	180° Left or Right One-side Opening	Silver	
234SR	234SL										○
Empty Hinge	230R / 230L					—	—	—			



Door Opening Direction (top view)

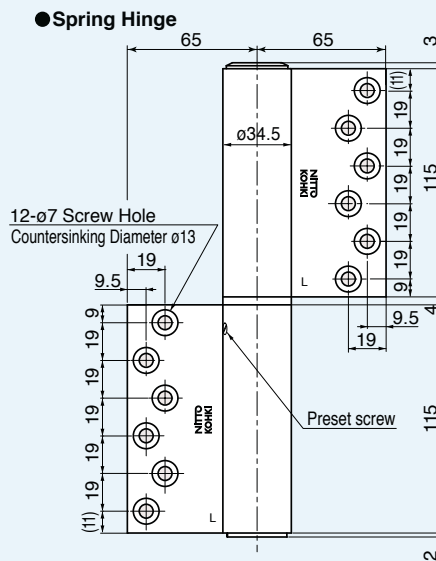


### Remarks

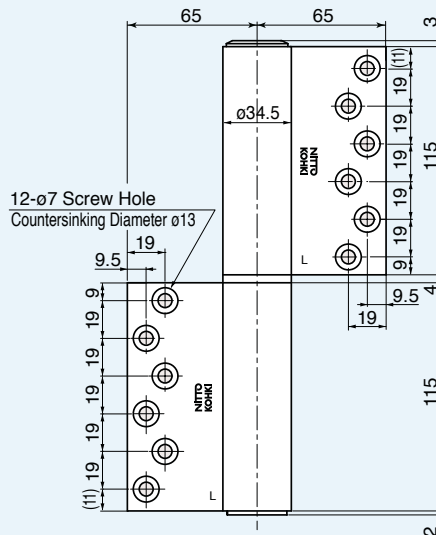
- For reinforcement purpose, put a steel plate of at least 3.2mm thick and 300mm long at the point of the door/frame that the hinge leaves will be fitted.
- Use the M6x20 countersunk head screws for fitting. (Do NOT weld.)
- Allow at least 5mm of space between the outer edge of door and the frame.
- Surface treatment: By baked coating of melamine resin.
- Always install a door stopper to prevent the door from opening more than 180°.

### EXTERNAL DIMENSIONS

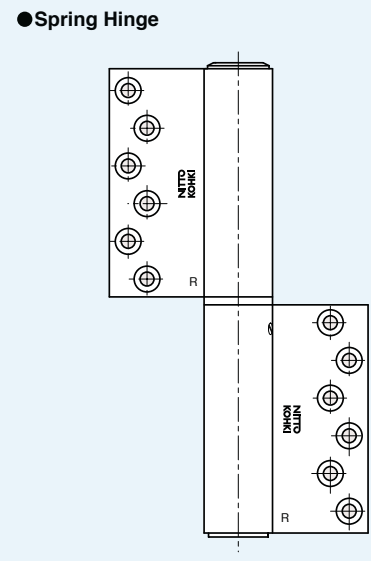
#### Left Hand Door



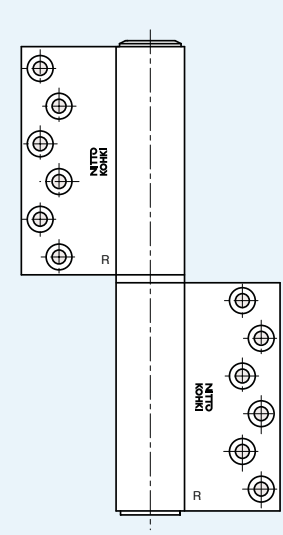
#### ● Damper Hinge



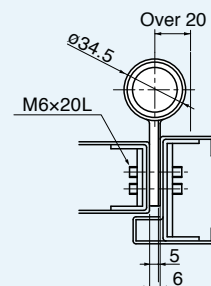
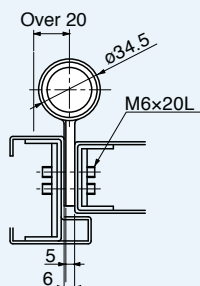
#### Right Hand Door



#### ● Damper Hinge



### FITTING DIAGRAMS



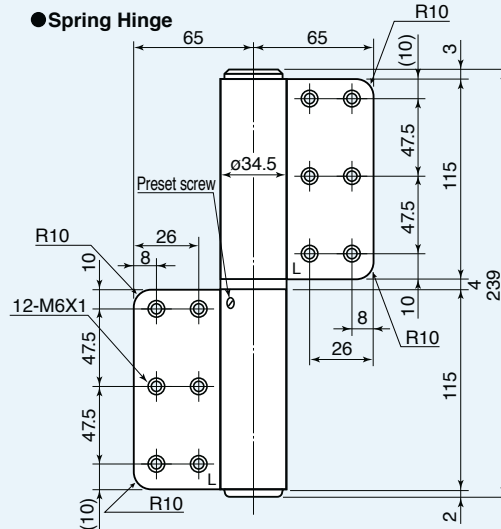
# 200series Model 244T

Model Number			Door Size Applicable(mm)			Door Weight (kg)	Closing Force (N·m)	Stop Mechanism	Location of Stop	Max. Opening Angle	Surface Color
Right hand door	Left hand door	W	H	D							
244R-T	244L-T	1200(Max)	2100(Max)	40(Min)	120(Max)	22.6	—	—	180° Left or Right One-side Opening	Silver	
244SR-T	244SL-T										—
Empty Hinge	240R-T / 240L-T					—	—	—	—	—	—

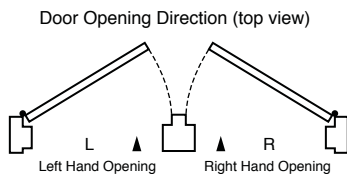
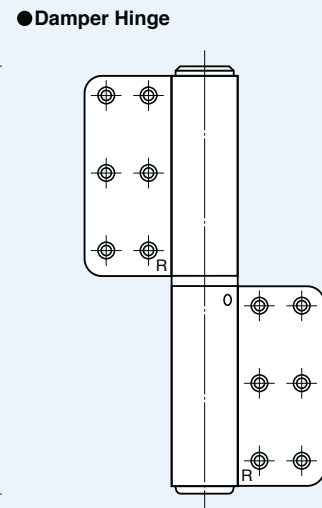
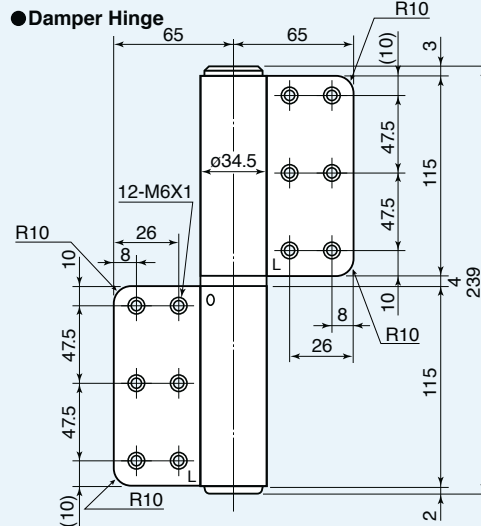
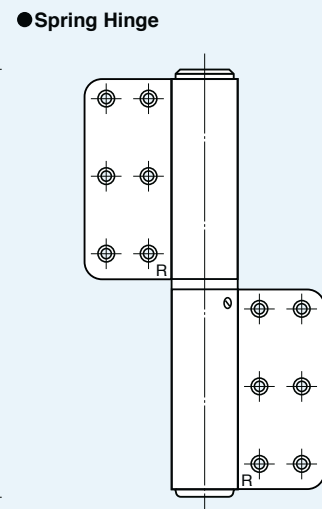


## EXTERNAL DIMENSIONS

### Left Hand Door



### Right Hand Door



### Remarks

1. For reinforcement purpose, put a steel plate of at least 3.2mm thick and 300mm long at the point of the door/frame that the hinge leaves will be fitted.
2. Use the M6 countersunk head screws for fitting. (Do NOT weld.) Screws are not included.
3. In case of applying to the fire protection door, use the model 244R-T or 244L-T without the stop function.
4. Allow at least 5mm of space between the outer edge of door and the frame.
5. Surface treatment: By baked coating of melamine resin.
6. Always install a door stopper to prevent the door from opening more than 180°.

## FITTING DIAGRAMS

