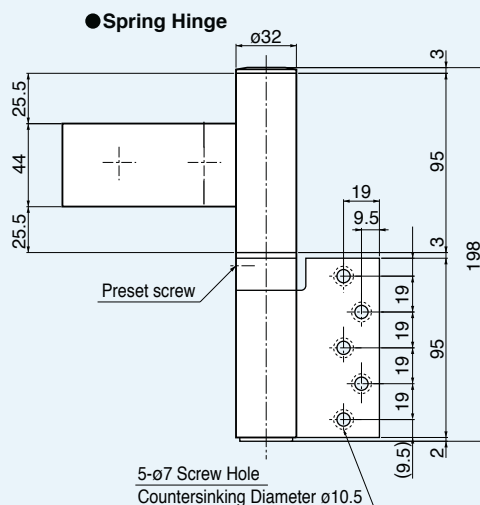


Model Number		Door Size Applicable(mm)			Door Weight (kg)	Closing Force (N-m)	Stop Mechanism	Location of Stop	Max. Opening Angle	Surface Color
Right hand door	Left hand door	W	H	D						
NK153R-SC	NK153L-SC	900(Max)	2100(Max)	8	10	12	60(Max)	15.0	—	—
NK153SR-SC	NK153SL-SC									
Empty Hinge NK150R-SC	NK150L-SC	1000(Max)	2200(Max)	8	10	12	80(Max)	20.0	—	180° Left or Right One-side Opening
NK153R TRISET-SC	NK153L TRISET-SC									
NK153SR TRISET-SC	NK153SL TRISET-SC	1000(Max)	2200(Max)	8	10	12	80(Max)	20.0	—	180° Left or Right One-side Opening
Empty Hinge NK150R-SC	NK150L-SC									

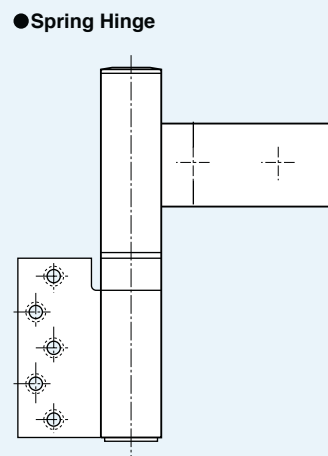


### EXTERNAL DIMENSIONS

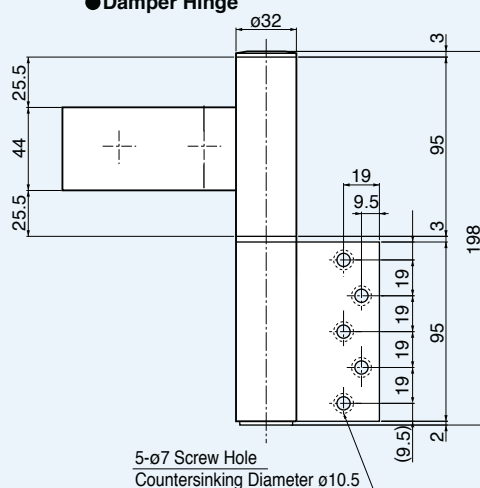
Left Hand Door



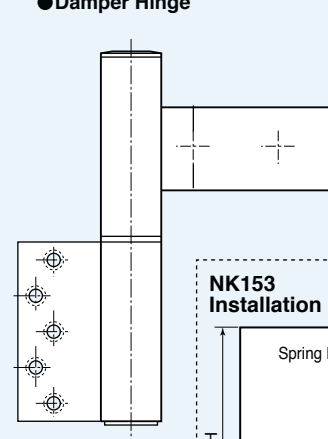
Right Hand Door



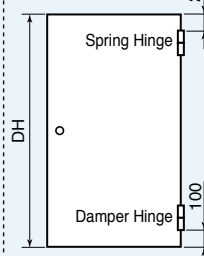
● Damper Hinge



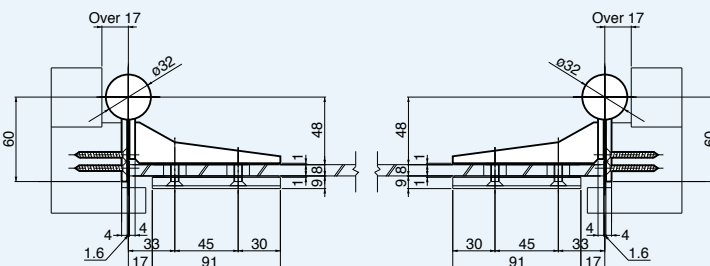
● Damper Hinge



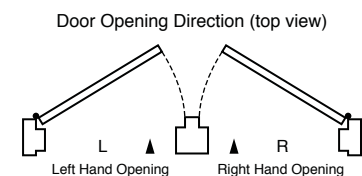
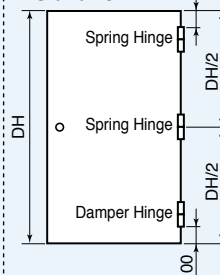
NK153 Installation



### FITTING DIAGRAMS



NK153 TRISET Installation



### Remarks

1. If using on the wooden doors and frame: The door must be made of hard wood such as lauan or harder.
2. Surface treatment: By baked coating of melamine resin.
3. The tapping screws supplied with the products for fitting are 35mm long. In case of using the hinges on the wooden frame, make sure that the frame is thicker than 35mm.
4. Allow at least 5mm of space between the outer edge of door and the frame.
5. Always install a door stopper to prevent the door from opening more than 180°.