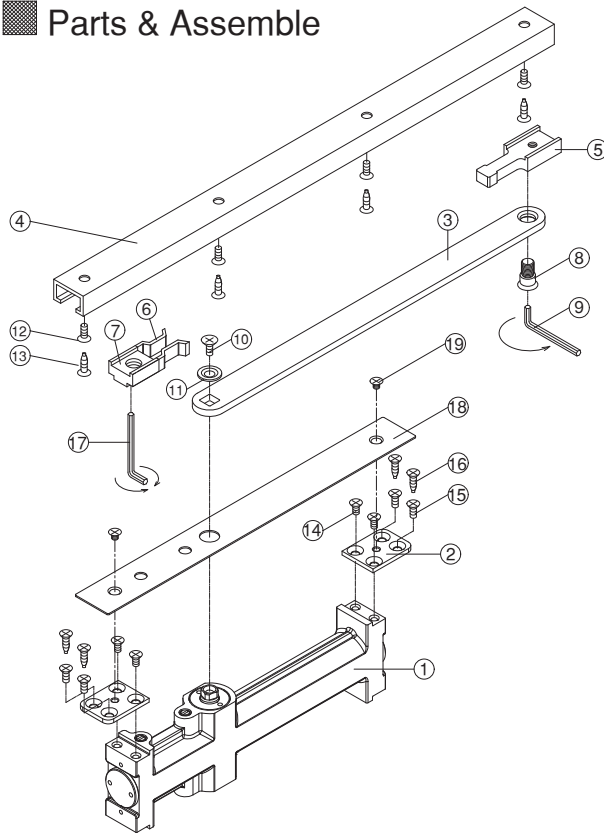
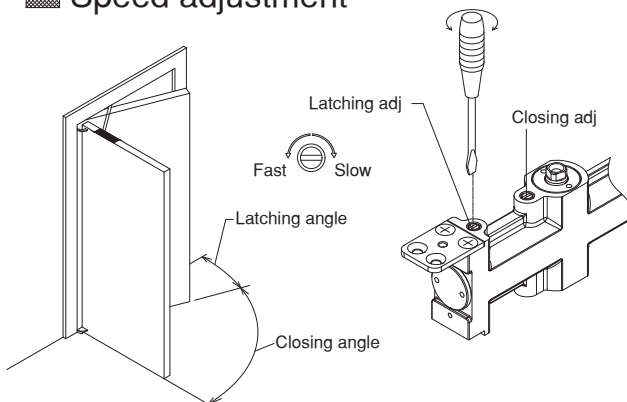


### Parts & Assemble

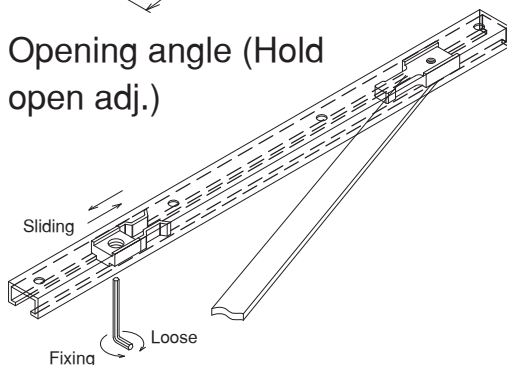


NO	Parts	QTY	NO	Parts	QTY
①	Body	1	⑪	Washer	1
②	Fixing plate	2	⑫	⊕Countersunk screw M5x15L	4
③	Main arm	1	⑬	⊕Wooder screw3/16"x1"L	4
④	Track	1	⑭	⊕Countersunk screw M5x8L	4
⑤	Sliding part	1	⑮	⊕Countersunk screw M5x15L	4
⑥	Hold open Spring plate	1	⑯	⊕Wooder screws3/16"x1"L	4
⑦	Hold open Fixing part	1	⑰	○Wrench 4mm	1
⑧	⊙Fixing screw M8	1	⑱	⊕Countersunk screw M5x4.1L	2
⑨	○Wrench 5mm	1			
⑩	⊕Countersunk screw M5x12L	1			

### Speed adjustment



### Opening angle (Hold open adj.)

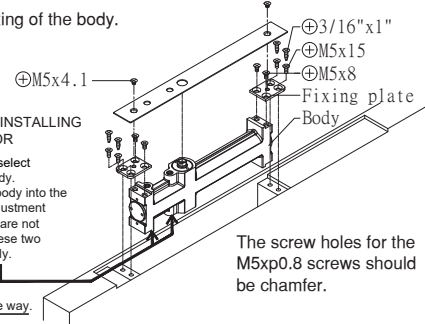


#### ① Installation and fixing of the body.

**ACTION TO DO BEFORE INSTALLING CLOSERBODY INTO DOOR**

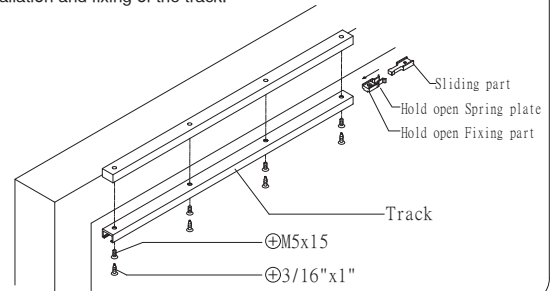
1. Check handing of door and select correct top side of closer body.
2. Before installing the closer body into the door please screw in the adjustment valves at the bottom (which are not being used) to the ends. These two valves need to be closed fully.

Valves at the **bottom**:

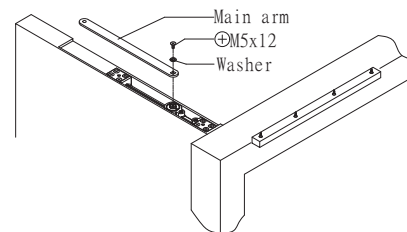


The screw holes for the M5x0.8 screws should be chamfer.

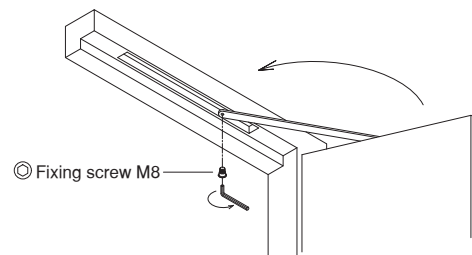
#### ② Installation and fixing of the track.



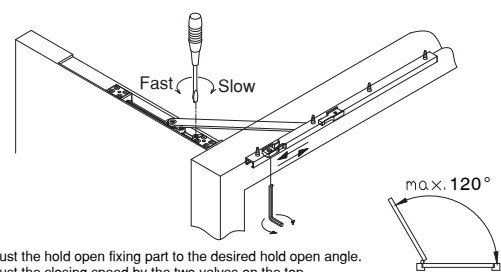
#### ③ Attach the main arm to the axis of the body and tighten the screw firmly



#### ④ Combining the main arm to the sliding part in the track and tighten the fixing screw.



#### ⑤ Opening angle and closing speed adjustment

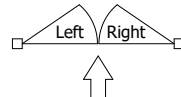
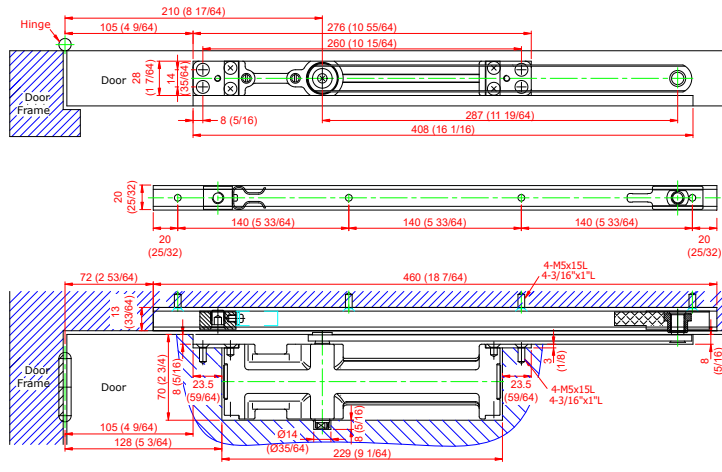


Adjust the hold open fixing part to the desired hold open angle.  
Adjust the closing speed by the two valves on the top.

# Concealed Door Closer

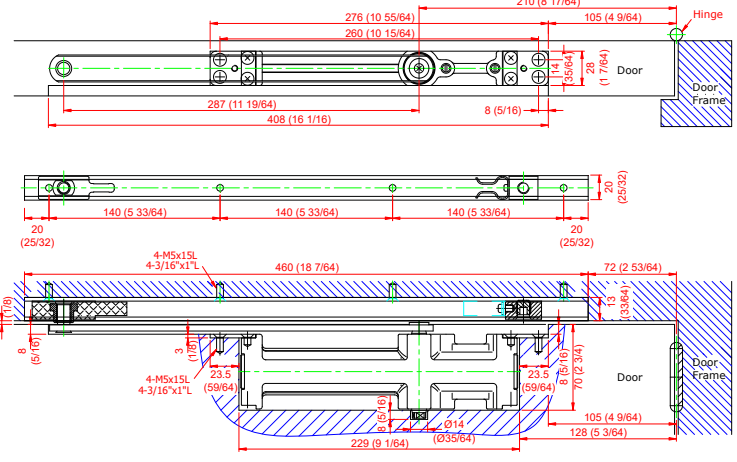
## Left hand opening

Unit : mm  
(inch)



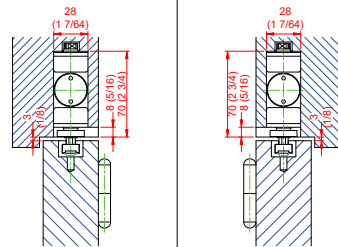
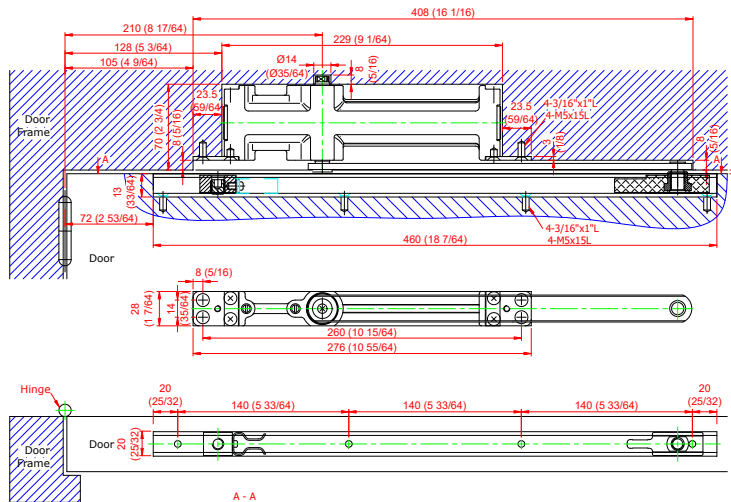
## Right hand opening

Unit : mm  
(inch)



## Left hand opening (Top jamb installation)

Unit : mm  
(inch)



## Right hand opening (Top jamb installation)

Unit : mm  
(inch)

