

KT3D-200 3-D Adjustable Concealed Hinge

Components

- Concealed Hinges ... 2 pcs
- Mounting screws, Ø5*30mm ... 8 pcs x 2 (total 16 pcs)
- Hex key, 3mm (1/8"), 4mm (5/32"), 5mm (3/16") ... ea 1 pc
- Hinge cover ... 4 pcs x 2 (total 8 pcs)

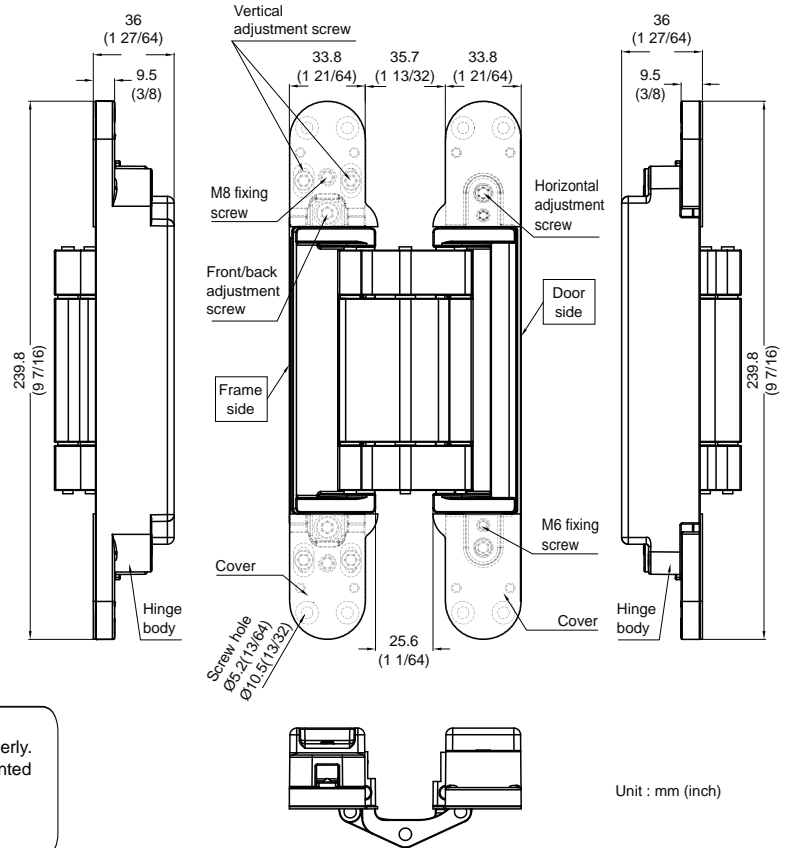


Descriptions

- For wooden/steel flush doors
- Concealed installation
- Easy to install and adjust
- 3-D adjustability:
 - Vertical $\pm 3\text{mm} (\pm 1/8")$
 - Horizontal $+3\text{mm} (1/8")$ or $-2\text{mm} (-5/64")$
 - Depth $\pm 1\text{mm} (\pm 3/64")$
- Opening angle: 180°
- Material: Special zinc alloy (body), aluminum (arm)

Specifications

- Max. door weight by 2 hinges: 160kgs (352lbs.)
- Max. door width: 1200mm (47 1/4")
- Max. door height: 2400mm (94 31/64")
- Applicable door thickness:
 - For wooden door: 55~75mm (2 11/64~2 61/64")
 - For steel door: 50~75mm (1 31/32~2 61/64")



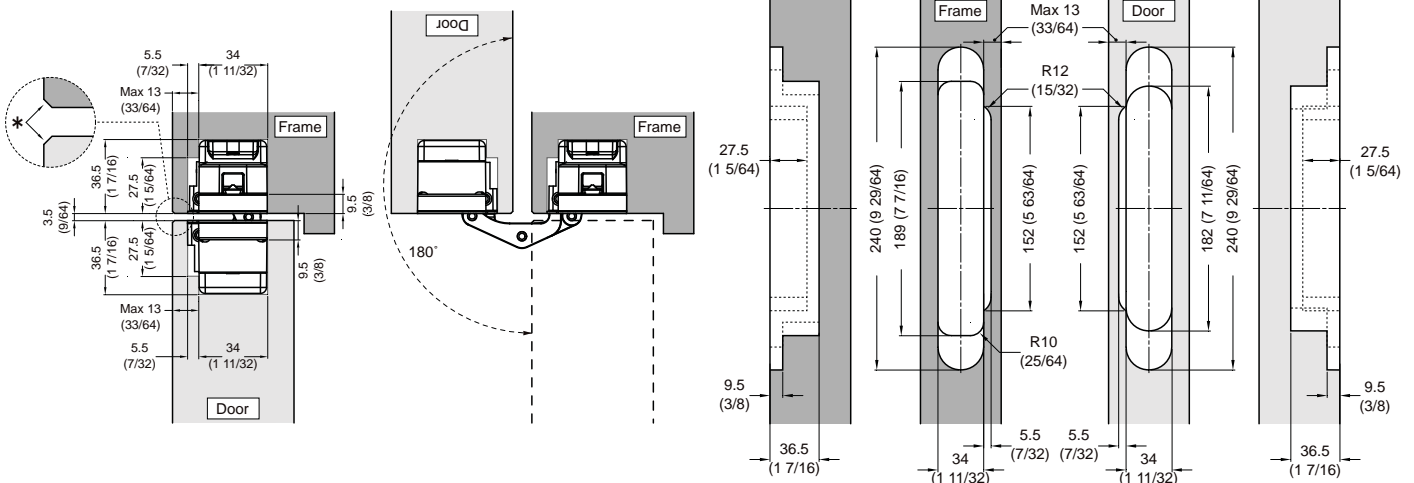
Precaution

- Do not use the hinge in the place directly exposing to rain/snow.
- Depending on use of the door closer, the hinge may not work properly.
- Do not open/close the door while the hinges are not securely mounted on door/frame.
- Do not use the hinges on the door which is bent/deformed.
- Make sure that all of the screws are securely fastened.

CUTOUT Drawing

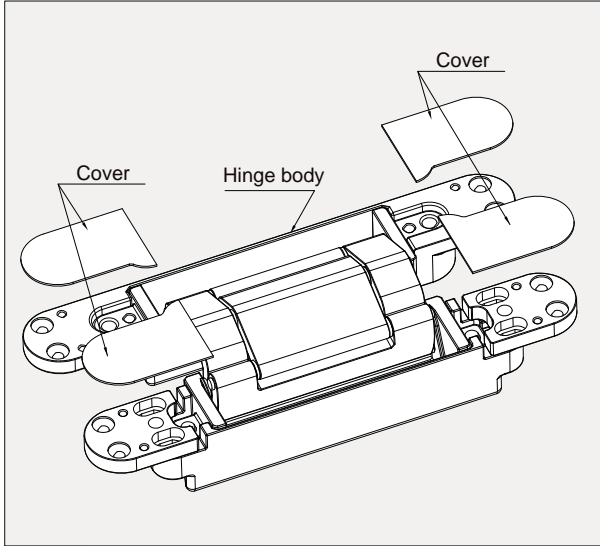
Unit : mm (inch)

(*) Round edges : C1 (3/64) or R1 (3/64) and over.



KT3D-200 3-D Adjustable Concealed Hinge : Installation Procedures

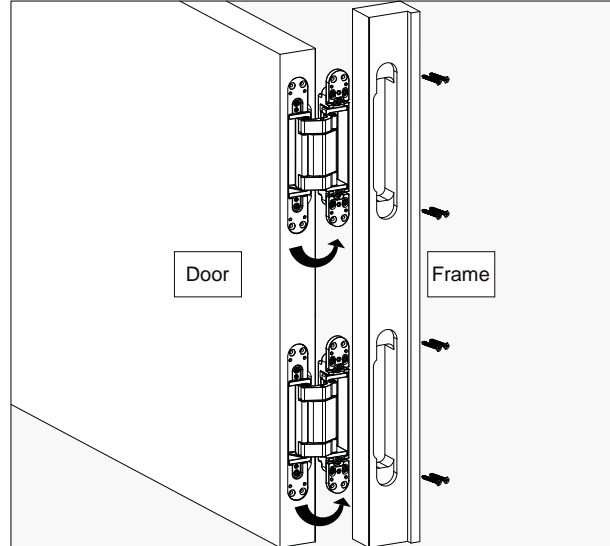
Figure a)



Mounting hinges

- (1) Prepare cutouts on door and frame according to the cutout drawing.
 - (2) Gently remove 4pcs x covers from the hinge as shown in Figure a).
 - (3) Install the door side hinge leaf into cutout of the door with mounting screws supplied with the product.
 - (4) Open the frame side hinge leaf by 180° as shown in Figure b).
- (Repeat same for the other hinge.)

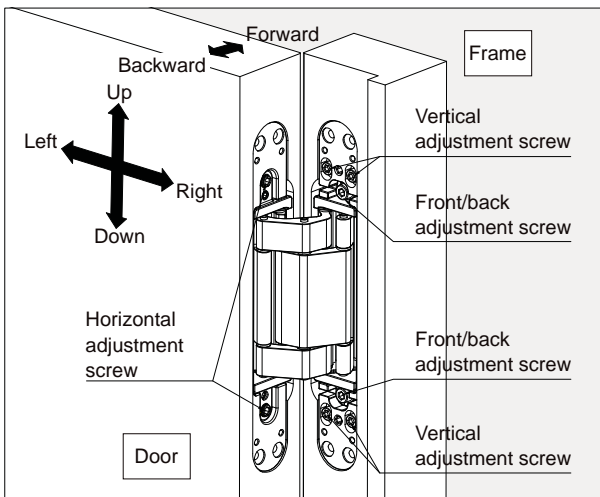
Figure b)



Mounting door

- (4) Lift the door and insert the frame side hinge leaf into cutout of the frame with mounting screws supplied with the product.
- (5) Adjust the door position according to Adjustment Procedure shown below.
- (6) Gently put the covers on hinges.

⚠ Caution
To prevent door from falling, do not open/close door during installation.



⚠ Caution
Gently turn adjustment screw one by one. Do not turn screws with force. Do not loosen adjustment screw clockwise overly (max 3 mm), as door may fall.

Adjustment Procedure

Vertical Adjustment

Loosen vertical adjustment screw with hex key just by one turn. During adjustment of door height, temporarily hold the door by inserting a piece of wood into the gap between floor and bottom of door. Then, gently tighten screws to adjust the position.
*Adjustment range: $\pm 3\text{mm}$ ($\pm 1/8''$)

Front/back Adjustment

Loosen front/back adjustment screw with hex key just by one turn. Adjust the door position and gently tighten screws.
*Adjustment range: $\pm 1\text{mm}$ ($\pm 3/64''$)

Horizontal Adjustment

Turn the horizontal adjustment screw with hex key to adjust the gap between door and door frame (on the hinged side of door);
- To widen the gap, turn the screw clockwise.
- To narrow the gap, turn the screw counter-clockwise.
*Adjustment range: $+3\text{mm}$ ($+1/8''$), -2mm ($-5/64''$)

⚠ Caution
- Recommended fastening torque: 3N.m (30.6kgf.cm)
- To prevent door from falling, do not remove fixing screws.