

KT3D-140 3-D Adjustable Concealed Hinge



Components

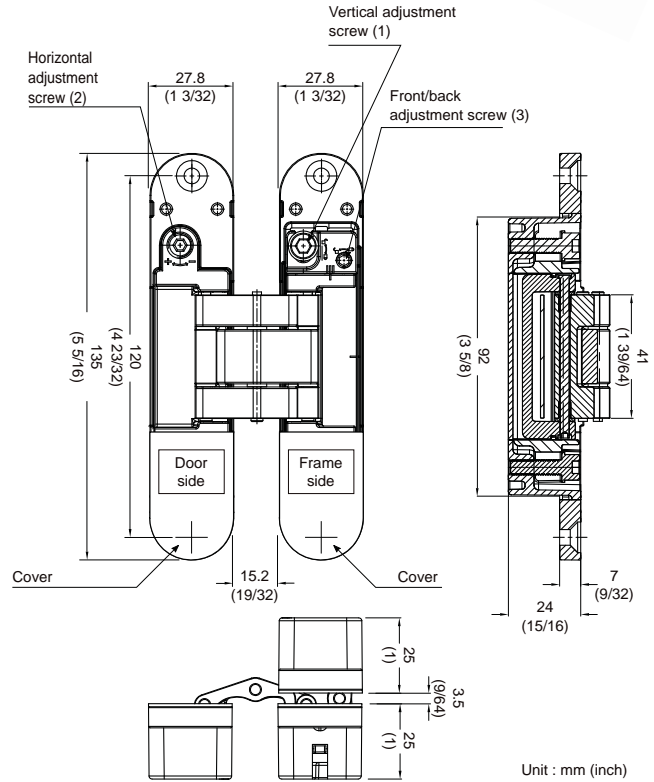
- Concealed Hinges ... 2 pcs
- Mounting screws, Ø5*30mm ... 4 pcs x 2 (total 8 pcs)
- Hex key, 4mm (5/32") ... 1 pc
- Hex key, 2.5mm (3/32") ... 1 pc
- Hinge cover ... 4 pcs x 2 (total 8 pcs)

Descriptions

- For wooden flush doors
- Concealed installation
- Easy to install and adjust
- 3-D adjustability:
 - Vertical $\pm 2.5\text{mm} (\pm 3/32")$
 - Horizontal $\pm 2\text{mm} (\pm 5/64")$
 - Depth $\pm 1\text{mm} (\pm 3/64")$
- Opening angle: 180°
- Material: Special zinc alloy (body)

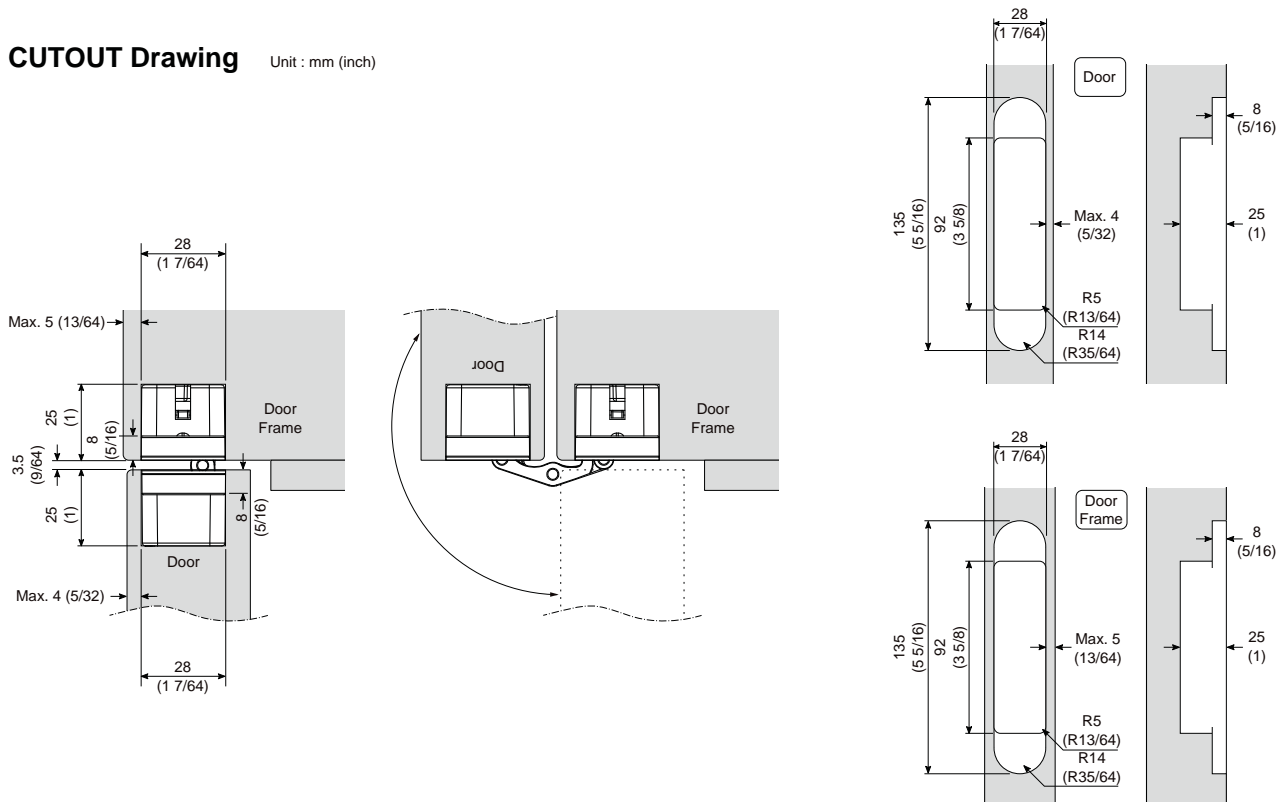
Specifications

- Max. door weight by 2 hinges: 60kgs (132lbs.)
- Min. door thickness for steel door: 36mm (1 27/64")
- Min. door thickness for wooden door: 40mm (1 37/64")
- Max. door width: 900mm (35 7/16")
- Max. door height: 2400mm (94 31/64")



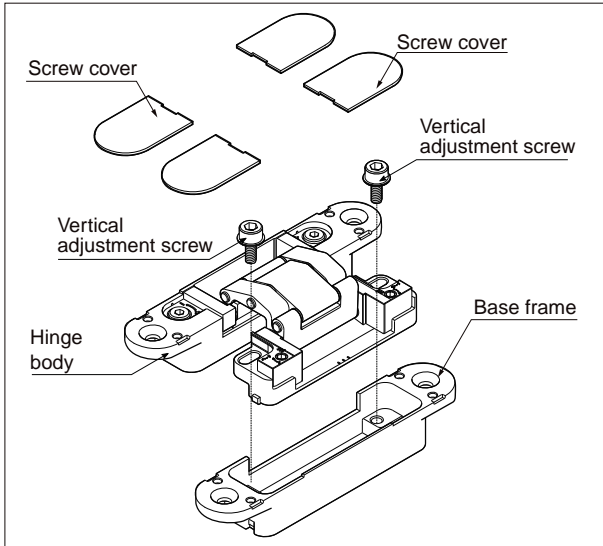
CUTOUT Drawing

Unit : mm (inch)



KT3D-140 3-D Adjustable Concealed Hinge : Installation Procedures

Figure a)

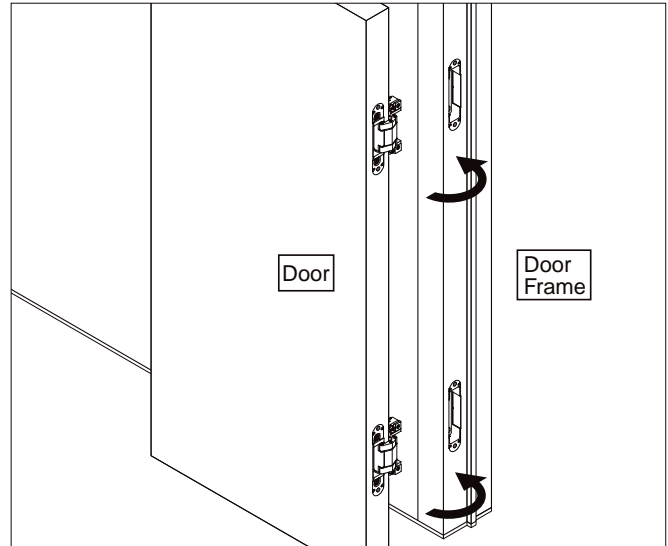


Mounting hinges

- (1) Gently remove screw covers from hinge body. Remove vertical adjustment screws by hex key, then separate hinge body and base frame as shown in figure a).
- (2) Install the hinge body into cutout of the door with mounting screws supplied with the product.
- (3) Install the base frame into cutout of the door frame with mounting screws supplied with the product.

(Repeat same for the other hinge.)

Figure b)



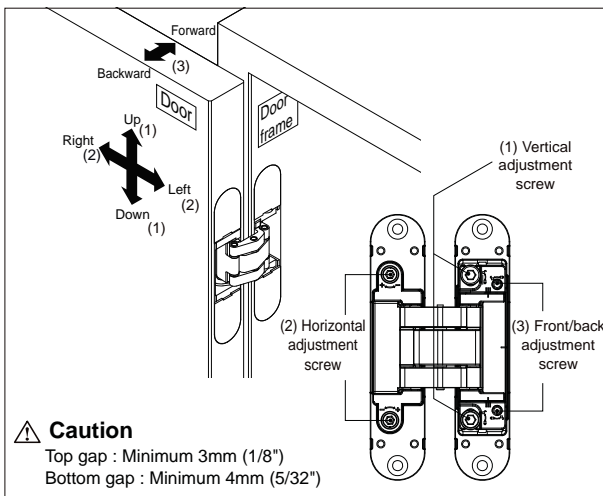
Mounting door

- (4) Carefully insert both upper and lower hinges into the upper and lower base frames and temporarily hang the door. See Figure b).
Make sure the door is securely held in place.
- (5) Place the vertical adjustment screws (removed in step (1)) into vertical adjustment holes. Gently fasten the screws by hex key and temporarily hold the hinge body and base frame together.



Caution

Make sure the base frame is firmly placed in proper direction before installing into the cutout of the frame.
To prevent door from falling, do not open/close door with force.



Caution

Top gap : Minimum 3mm (1/8")
Bottom gap : Minimum 4mm (5/32")

Adjustment

Vertical Adjustment

Loosen vertical adjustment screw with hex key just by one turn. During adjustment of door height, temporarily hold the door by inserting a piece of wood into the gap between floor and bottom of door. Then, gently tighten screws to adjust the position.

*Adjustment range: $\pm 2.5\text{mm}$ ($\pm 3/32''$)

Horizontal Adjustment

Turn the horizontal adjustment screw with hex key to adjust the gap between door and door frame (on the hinged side of door);

- To widen the gap, turn the screw clockwise.
- To narrow the gap, turn the screw counter-clockwise.

*Adjustment range: $\pm 2\text{mm}$ ($\pm 5/64''$)

Front/back Adjustment

Loosen front/back adjustment screw with hex key just by one turn. Adjust the door position and gently tighten screws.

*Adjustment range: $\pm 1\text{mm}$ ($\pm 3/64''$)



Caution

Gently turn adjustment screw one by one. Do not turn screws with force. Do not loosen adjustment screw clockwise overly (max 3 mm), as door may fall.



Caution

To prevent door from falling, do not remove front/back adjustment screw.