

# New - EDM 24NII-SL Slim Rail

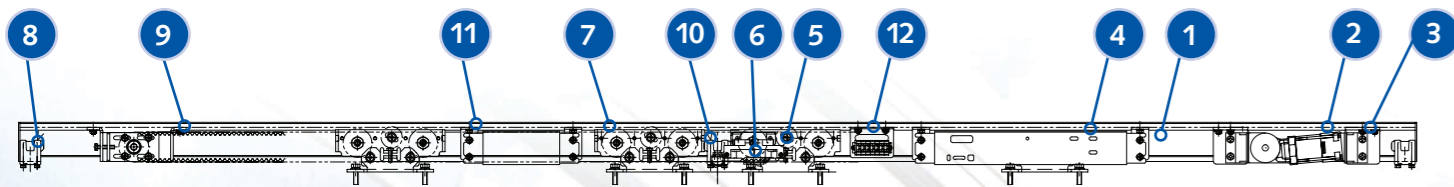
# Specification

# EDM NII Series

Automatic sliding door operator



- Slim Line Design
- 120kg Capacity
- Smooth Operation
- Modular Design
- Front Fixing Components
- Newly Designed Compact Parts
- New '3 Roller' Hanger Bracket
- New Belt Tensioning Bracket
- Lock and Battery Option

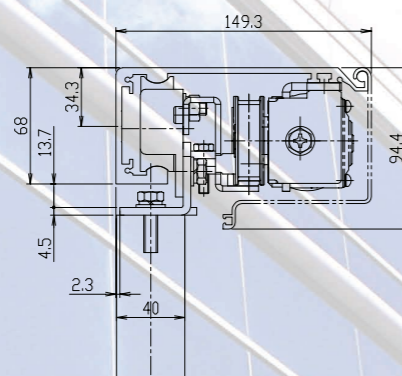


- |                        |                              |                                  |
|------------------------|------------------------------|----------------------------------|
| 1 Base Rail Assembly   | 5 Hanger Bracket Assembly    | 9 Timing Pulley                  |
| 2 Motor Gear Box       | 6 Belt-bracket Link Assembly | 10 Switch (On/Off)               |
| 3 Motor Mount Assembly | 7 Belt-bracket Link Assembly | 11 Lock Sub Control Box (Option) |
| 4 Control Box          | 8 Stopper Assembly           | 12 Terminal Assembly             |

### Flexible, Simple & Modular – With Power to Spare...

MICOM EDM 24NII-SL Slim rail is the professional operator for conceptual design. Equipped with our proven EDM NII motor drive system, 24NII-SL will adapt to varied door widths, weight capacities and desired functionality whilst maintaining a stylish finish.

Careful consideration in design has produced slim, compact lines and provided an even greater ease for installation and servicing. Now featuring a unique 3-roller hanger configuration, EDM 24NII-SL offers enhanced stability and smoother operation.



**UK/European Office**  
The Grainger Suite | Regent Centre | Gosforth  
Newcastle upon Tyne | NE3 3PF | UK

tel: **+44 (0)191 233 6323**  
fax: **+44 (0)191 284 0222**  
email: **info@kenwa.co.uk**

**Head Office - Japan**  
12th Floor | Tower West | Umeda Skybuilding 1-30  
Oyodonaka 1-Chome | Kita-ku Osaka 531-0076  
Japan

tel: **(0081) 6 6 454 9721**  
fax: **(0081) 6 6 454 9726**  
email: **info@kenwa.co.jp**

MICOM & NHN are registered trademarks and divisions of Kenwa Co. Ltd., Osaka-Japan.

Distributed by

**KENWA Trading Corp.**  
180 Adams Avenue  
Hauppauge NY 11788 USA  
P : +1-631 951 2176  
F : +1-631 951 2177  
E : [ktc@kenwa.net](mailto:ktc@kenwa.net)



Model	EDM18NII A-S	EDM18NII A-D	EDM18NII B-S	EDM18NII B-D
Operation	Single	Double	Single	Double
Application	Surface Mounted		Built In	
Installation				
Sectional View				
Dimensions (mm)	150 x 97		124 x 89.3 (no cover)	
Glass Door	width x height (mm) 1219 x 2134	1219 x 2134	1219 x 2134	1219 x 2134
weight (kg)	90	90 x 2	90	90 x 2
Framed Door	width x height (mm) 1500 x 2200	1500 x 2200	1500 x 2200	1500 x 2200
weight (kg)	90	90 x 2	90	90 x 2
Power Supply	AC100V +/- 10V 50/60Hz 5A			
Optional	Electromagnetic lock / Battery backup system			

Door height and width for guidance only

Model	EDM24NII A-S	EDM24NII A-D	EDM24NII B-S	EDM24NII B-D
Operation	Single	Double	Single	Double
Application	Surface Mounted		Built In	
Installation				
Sectional View				
Dimensions (mm)	150 x 97		124 x 89.3 (no cover)	
Glass Door	width x height (mm) 1219 x 2134	1219 x 2134	1219 x 2134	1219 x 2134
weight (kg)	120	120 x 2	120	120 x 2
Framed Door	width x height (mm) 1500 x 2200	1500 x 2200	1500 x 2200	1500 x 2200
weight (kg)	120	120 x 2	120	120 x 2
Power Supply	AC100V +/- 10V 50/60Hz 5A			
Optional	Electromagnetic lock / Battery backup system			

Door height and width for guidance only

Model	EDM30NII A-S	EDM30NII A-D	EDM30NII FB-S	EDM30NII FB-D
Operation	Single	Double	Single	Double
Application	Surface Mounted		Built In	
Installation				
Sectional View				
Dimensions (mm)	205 x 120		195 x 98 (no cover)	
Glass Door	width x height (mm) 2500 x 4000	2500 x 4000	1500 x 2500	1300 x 2500
weight (kg)	150	150 x 2	150	150 x 2
Framed Door	width x height (mm) 2500 x 4000	2500 x 4000	1500 x 2438	1500 x 2438
weight (kg)	150	150 x 2	150	150 x 2
Power Supply	AC100V +/- 10V 50/60Hz 5A			
Optional	Electromagnetic lock / Battery backup system			

Door height and width for guidance only

Model	EDM40NII A-S	EDM40NII A-D	EDM40NII FB-S	EDM40NII FB-D
Operation	Single	Double	Single	Double
Application	Surface Mounted		Built In	
Installation				
Sectional View				
Dimensions (mm)	205 x 120		195 x 98 (no cover)	
Glass Door	width x height (mm) 2500 x 4000	2500 x 4000	1500 x 2500	1300 x 2500
weight (kg)	200	200 x 2	200	200 x 2
Framed Door	width x height (mm) 2500 x 4000	2500 x 4000	3000 x 5000	3000 x 5000
weight (kg)	200	200 x 2	200	200 x 2
Power Supply	AC100V +/- 10V 50/60Hz 5A			
Optional	Battery backup system			

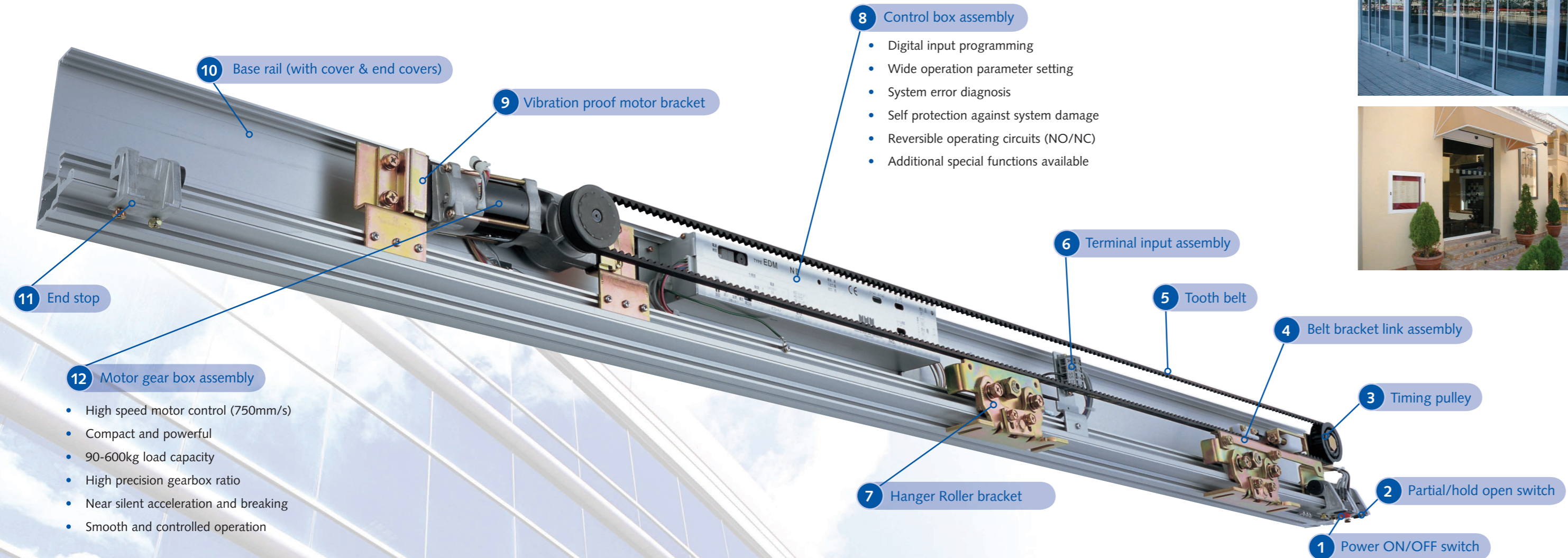
Door height and width for guidance only



# EDM NII Series - Sliding Door Operator

# Model 18NII/24NII/30NII/40NII~65NII Heavy

EDM NII Series provides the basis for implementation of new ideas and concepts, opening new possibilities in the use of automatic door systems today.



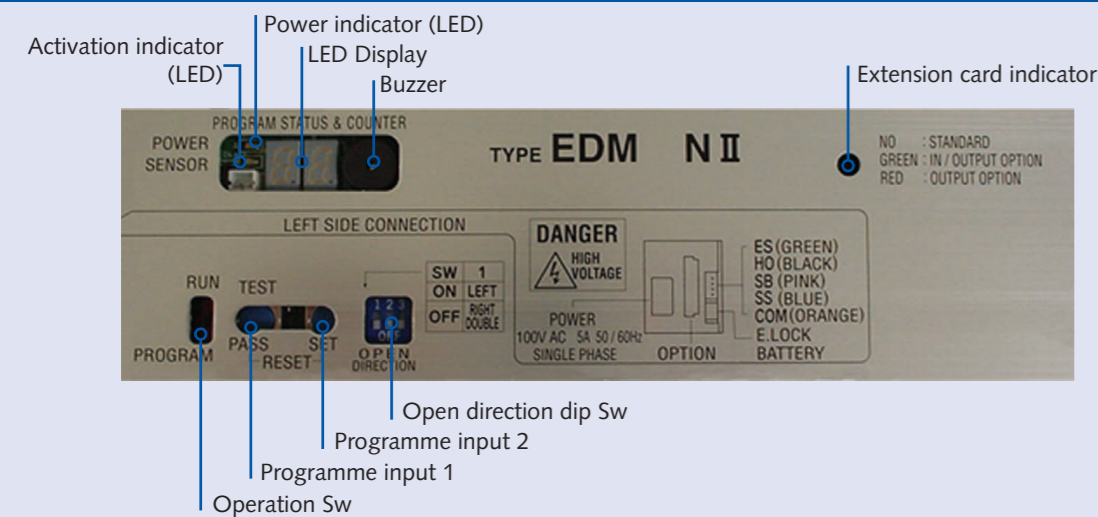
### 12 Motor gear box assembly

- High speed motor control (750mm/s)
- Compact and powerful
- 90-600kg load capacity
- High precision gearbox ratio
- Near silent acceleration and breaking
- Smooth and controlled operation

### 8 Control box assembly

- Digital input programming
- Wide operation parameter setting
- System error diagnosis
- Self protection against system damage
- Reversible operating circuits (NO/NC)
- Additional special functions available

## Control box features



### Control functions

- Sensor/activation signal (SS)
- Safety beam threshold protection (SB)
- Hold open (HO)
- Partial open (HS 13%-98% open)
- Emergency stop (ES)
- Panic open (PS)
- Ratchet switch (RS)

### Features

- High quality Japanese technology and engineering
- Quick setup and installation
- All parts front fix with flexible adjustment
- Reliable and trouble free continuous operation
- Powerful and compact operating system
- Generous door height adjustment and alignment
- Memory when power off
- Energy saving when inactive
- Flexible locking and battery options
- Use with all customary door profiles



Innovative and multifunctional, EDM NII Series sliding door operator offers the perfect solution to any automation application. Equipped with our trademark microprocessor control and powerful motor drive system, quality and reliability are assured.

### Designed with installer and user in mind...

Our design team have carefully considered operation features, set-up procedures, installation and maintenance, as well as the use of the latest materials and fixing methods.

### Quick and Easy Installation

All major components including motorgear, control box, battery and electromagnetic locking are front fixed onto the base rail, allowing all parts to be mounted or removed at the job site without dismantling the main base rail. With flexible position adjustment, parts can be moved for servicing purposes. Once the rail is fixed in place, doors can be easily mounted using our unique door bracket and flexible retainer design.

### Programming and Set-up

After initial automatic learning and door stroke optimisation, setting of all standard parameters can be performed quickly and easily utilising the 2-button input and digital LED display. Setting and adjustment is easily achieved without the need for a hand held PALM system or additional expensive software. Through the 2 digit LED display, access to operational settings and history is possible.

2 button data input in combination with the 2 digit LED display (LED '1' & '2')

- Button No.1 - Provides stepped access to parameters, functions, applications and operation history
- Button No.2 - Provides stepped value adjustment of the selected operational features.

All operators are supported with a setting code table, allowing installers to 'fine tune' each installation. The setting code table details each function and available range value. Default settings can be restored if both buttons are pressed simultaneously for 5 seconds.

### System Diagnosis and Optimisation

EDM NII System, via the LED display, also offers comprehensive diagnosis information. It is possible to establish historic performance and error data related to irregularities of set up and operation. For example, if doors encounter high resistance, information relating to this will be displayed.

### Memory Retention

Using Random Access Memory (RAM) it is possible to re-write operational control settings up to 1 billion times. The RAM system also allows long term memory retention of control settings without the need for a lithium back up battery.

### High Speed & Smooth Operation

EDM NII Series Motor Gear System offers faster acceleration, with a high speed of 750 mm/s. Our base rail design allows the doors to be mounted nearer to the centre of gravity, creating a smoother operation.

### Accessories

Electromagnetic locking fail secure (LK1) and fail safe (LK2) options, combined with a battery backup system, meet safety and security requirements worldwide. We also offer a Battery Monitoring System (BMS) which monitors battery power to ensure power is present when required.

### Wide Range Kg Capacity

EDM NII Series can move a wider range of sliding doors from light commercial doors to heavy industrial loads:

EDM 18NII = 90kg per door leaf	(x2 = 180kg)
EDM 24NII = 120kg per door leaf	(x2 = 240kg)
EDM 30NII = 150kg per door leaf	(x2 = 300kg)
EDM 40NII = 200kg per door leaf	(x2 = 400kg)
EDM 50NII = 250kg per door leaf	(x2 = 500kg)
EDM 50NII = 500kg per door leaf	(x1 = 500kg)
EDM 65NII = 300kg per door leaf	(x2 = 600kg)
EDM 65NII = 600kg per door leaf	(x1 = 600kg)

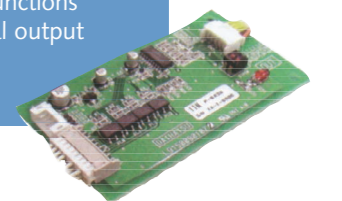
### Extension Functions

Not only will the EDM NII control box offer a wide range of standard connections and functions, extra switching functions can be realised by the addition of an extension card.

### Extended Functions

EDM NII Series boasts extensive additional features when incorporating an expansion (I/O) board within the control box. Basic I/O functions include:

- Side screen protection
- Extended ratchet functions
- Door position signal output (OE/CE relay)



For more information on our wide range of products visit [www.micomautodoor.com](http://www.micomautodoor.com)