

KHU series



FEATURES

- Contemporary / modern styling
- Works for wooden/light steel/glass doors.
- For interior and exterior.
- One set comes as a pair of door pulls for inside and outside of a single door.
- Mounting accessories included.
- Finishes: Hairline stainless satin or chrome polish
- Material: High-endurance stainless steel SUS304 for rust, corrosion and stain resistance.



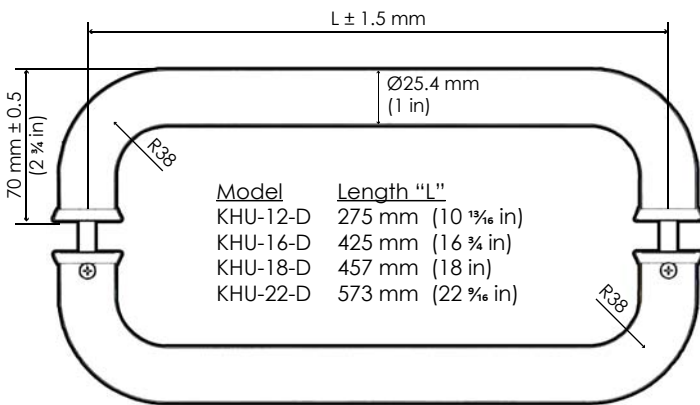


LINEUP

Model #	Description
KHU-12-D	12 inch model (300 mm overall)
KHU-16-D	16 inch model (450 mm overall)
KHU-18-D	18 inch model (482 mm overall)
KHU-22-D	22 inch model (598 mm overall)

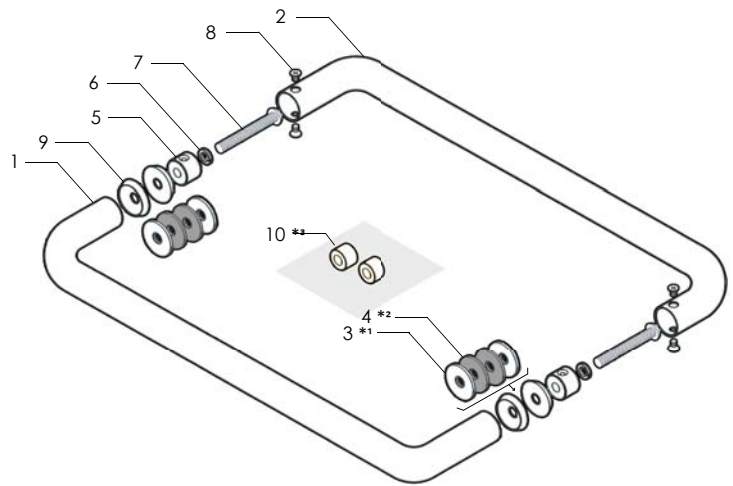
(Different sizes are available as custom model. Call for quote.)

DIMENSION



Door thickness:
 5 - 38mm (3/8 - 1 1/2 in) with 70mm bolt
 22 - 58mm (7/8 - 2 5/16 in) with 90mm bolt

COMPONENTS



Item	Description	QTY
1. Handle A	Ø25.4*L*T1.1	1
2. Handle B	Ø25.4*L*T1.1	1
3. SUS plate	Ø31*Ø8.2*T1.5 (*1 Need if end cap is not fitted.)	4
4. Rubber washer	Ø30*Ø8.2*T1.5 (*2 Required for glass doors/soft surface doors.)	4
5. Fixing bracket	Ø21.7*Ø8*15.5	2
6. Spring washer	M8	2
7. Center bolt	M8*70	2
	Center bolt	2
8. Screw	M4*8	4
9. End cap	Ø25.7(Ø31)*Ø10*5	4
10. Rubber bush	Ø12*Ø8.2*10 (*3 For glass doors.)	2



380 N BROADWAY SUITE 302
 JERICHO NY 11753 U.S.A.

P: +1-516-933-6016
 F: +1-516-933-6018
 E: ktc@kenwa.net
 http://kenwa-america.com

E.&O.E. All sizes, photo's and drawings are subject to change without prior notice.
 Copyright © 2016 KENWA TRADING CORPORATION NY USA All Rights Reserved.

DISTRIBUTED BY

