

# KHS series



## FEATURES

- Contemporary / modern styling
- Works for wooden/light steel/glass doors.
- For interior and exterior.
- One set comes as a pair of door pulls for inside and outside of a single door.
- Mounting accessories included.
- Finishes: Hairline stainless satin or chrome polish
- Material: High-endurance stainless steel SUS304 for rust, corrosion and stain resistance.

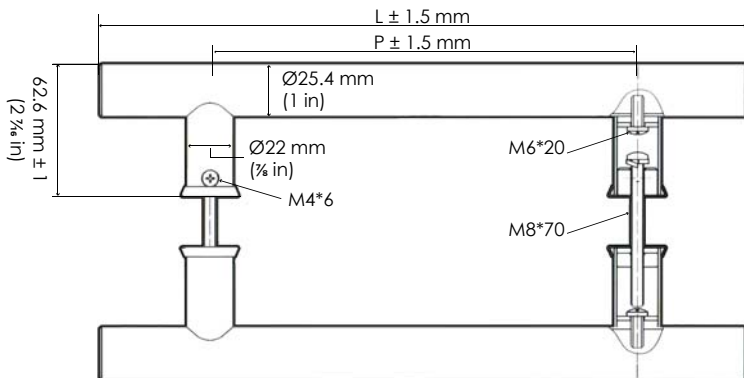


**LINEUP**

Model #	Description
KHS-16/8-D	16 inch model (406 mm overall)
KHS-18/12-D	18 inch model (450 mm overall)

(Different sizes are available as custom model. Call for quote.)

**DIMENSION**

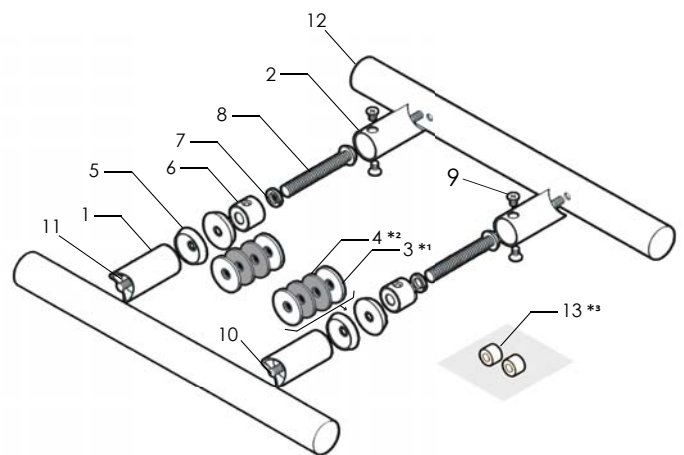


Model	Length "L"	Length "P"
KHS-16/8-D	406.4 mm (16 in)	203.2 mm (8 in)
KHS-18/12-D	450 mm (17 7/8 in)	300 mm (11 7/8 in)

Door thickness:

- 5 - 20mm (3/16 - 1/4 in) with 50mm bolt
- 20 - 40mm (3/8 - 1 1/8 in) with 70mm bolt
- 40 - 60mm (1 5/8 - 2 3/8 in) with 90mm bolt

**COMPONENTS**



Item	Description	QTY
1. Handle stand A	Ø22*35*T1.1	2
2. Handle stand B	Ø22*35*T1.1	2
3. SUS plate	Ø27*Ø8.2*T1.5	4
(*1 Need if end cap is not fitted.)		
4. Rubber washer	Ø27*Ø8.2*T1.5	4
(** Required for glass doors/soft surface doors.)		
5. End cap	Ø22.5(Ø27.4)*Ø8.4*4.7	4
6. Fixing bracket	Ø19*Ø8*15.5	2
7. Spring washer	M8	2
8. Center bolt	M8*50	2
	Center bolt	2
	Center bolt	2
9. Screw	M4*6	4
10. Stand bolt	M6*20	2
11. Stand fixing plate	Ø20*Ø8.5*3	4
12. Handle pipe	Ø25.4*L*1.1T	2
13. Rubber bush	Ø12*Ø8.2*10	2
(** For glass door.)		



380 N BROADWAY SUITE 302  
JERICHO NY 11753 U.S.A.

P: +1-516-933-6016  
F: +1-516-933-6018  
E: ktc@kenwa.net  
http://kenwa-america.com

E.&O.E. All sizes, photo's and drawings are subject to change without prior notice.  
Copyright © 2016 KENWA TRADING CORPORATION NY USA All Rights Reserved.

DISTRIBUTED BY

